

KB TYPE

• Equipped with a lever type single stopper

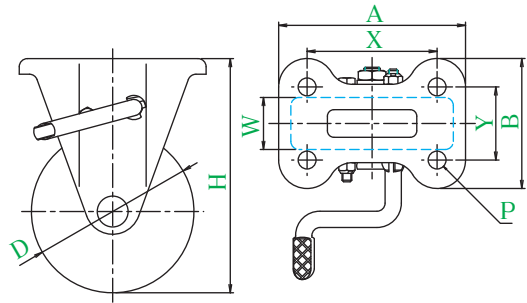


UWKB-100(R)



WKB-150(L)

Left stopper is also available.



● Description of product number

Please specify the right stopper (R) and the left stopper (L).

UW K B - 150(R or L)

Wheel type
Bracket type
Equipped with a single stopper
Wheel diameter
Lever type stopper
Right-
Left-

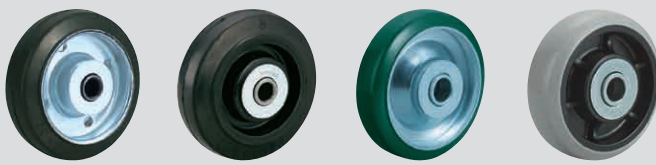
Bracket = Trivalent unichrome coating

Product number	Wheels								
		Wheel diameter D(mm)	Wheel width W(mm)	Mounting height H(mm)	Mounting base A × B(mm)	Mounting dimensions X × Y(mm)	Hole diameter P(mm)	Allowance load daN(kgf)	Wheel weight (g)
KB-100 (R or L)	W	100	32	144	115 × 80	80 × 45	11	120(122.4)	980
	NR							100(102.0)	880
	UW							180(183.6)	1060
	GU							100(102.0)	890
KB-130 (R or L)	W	130	40	177	137 × 93	100 × 56	11	180(183.6)	1660
	NR		35					180(183.6)	1260
	UW							250(255.0)	1800
	GU							40	180(183.6)
KB-150 (R or L)	W	150	40	198	137 × 93	100 × 56	11	200(204.0)	1820
	NR		38					200(204.0)	1390
	UW							300(306.0)	2090
	GU							40	200(204.0)
KB-200 (R or L)	W	200	43	250	151 × 102	112 × 63	11.5	250(255.0)	3260
	UW		42					400(408.0)	3400
	GU		43					250(255.0)	2710

- These casters are used for only locking rotation of the wheel.
- The axle diameter of the rubber wheel with nylon wheel assembly (including B) having wheel diameter of φ 130 and φ 150 is φ 12.
- The rubber wheel with conductive steel plate wheel assembly (including B) having wheel diameter of φ 100 and φ 150 can be manufactured.
- The urethane wheel with antistatic steel wheel plate assembly (including B) having wheel diameter of φ 100 to φ 200 can be manufactured.
- The left stopper is not stocked.

Wheel in use

Refer to P153 for detailed specifications.



W Rubber wheel with steel plate wheel assembly (including B)
NR Rubber wheel with nylon wheel assembly (including B)
UW Urethane wheel with steel plate wheel assembly (including B)
GU Urethane wheel with nylon wheel assembly (including B)