

## Ethernet plug-in connectors

### M12 screw connection with shield connection D-coded

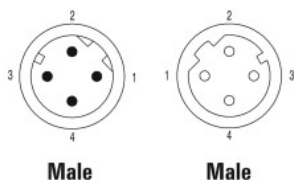


#### SAISM / SAIBM

Straight

#### SAISW

Angled



#### Ordering data

Male	4-pole. PG 9
Female	4-pole. PG 9
Note	

Type	Qty.	Order No.
SAISM-4/8S-M12-4P D-COD	1	1892120000
SAIBM-4/8S-M12-4P D-COD	1	1892130000

Type	Qty.	Order No.
SAISW-4/8S-M12-4P D-COD	1	1160550000

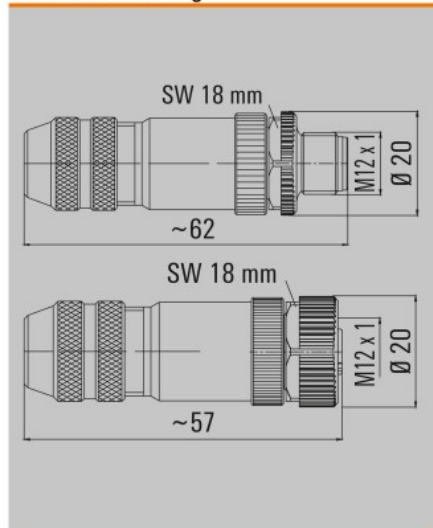
#### Technical data

Type of connection	Screw connection
Housing main material	CuZn
Connection thread	M12
Cable diameter	6...8 mm (PG9)
Wire cross-section, min. / max.	0.14...0.75 mm <sup>2</sup>
Rated current	4 A
Rated voltage	250 V
Temperature range of housing	-40 ... +85 °C
Protection degree	IP67
Contact surface	Gold-plated
Note	

Type of connection	Screw connection
Housing main material	CuZn
Connection thread	M12
Cable diameter	6...8 mm (PG9)
Wire cross-section, min. / max.	0.14...0.75 mm <sup>2</sup>
Rated current	4 A
Rated voltage	250 V
Temperature range of housing	-40 ... +85 °C
Protection degree	IP67
Contact surface	Gold-plated
Note	

Type of connection	Screw connection
Housing main material	CuZn
Connection thread	M12
Cable diameter	6...8 mm (PG9)
Wire cross-section, min. / max.	0.14...0.75 mm <sup>2</sup>
Rated current	4 A
Rated voltage	250 V
Temperature range of housing	-40 ... +85 °C
Protection degree	IP67
Contact surface	Gold-plated
Note	

#### Dimensioned drawing



#### Dimensioned drawing

