

10K DUCTILE IRON, BUTTERFLY VALVES

Fig: 10L1-N-U

Sizes: 2-6inch(50-150mm)

LEVER OPERATED.

Standards

. End to End: JIS B2032 46 SERIES

. End Connection: WAFER TYPE (JIS 5K, 10K)

. Wall Thickness: MANUFACTURER STANDARD

Test Standard

. MANUFACTURER STANDARD

Dimensions

SIZE (inch/mm)	L	L1	H	D1	Kg
2 50	43.0	0.0	191.0	180.0	0.00
2 1/2 65	46.0	0.0	199.0	180.0	0.00
3 80	46.0	0.0	217.0	180.0	0.00
4 100	52.0	0.0	227.0	180.0	0.00
5 125	56.0	0.0	265.0	230.0	0.00
6 150	56.0	0.0	277.0	230.0	0.00

Material List

NAME OF PART	MATERIAL	SPECIFICATION
BODY	DUCTILE IRON	A536 Gr. 65-45-12
STEM	STAINLESS STEEL	A276 TYPE410
SEAT RUBBER(4)	NBR	

Specifications

10K DUCTILE IRON, BUTTERFLY VALVES, LEVER OPERATED.

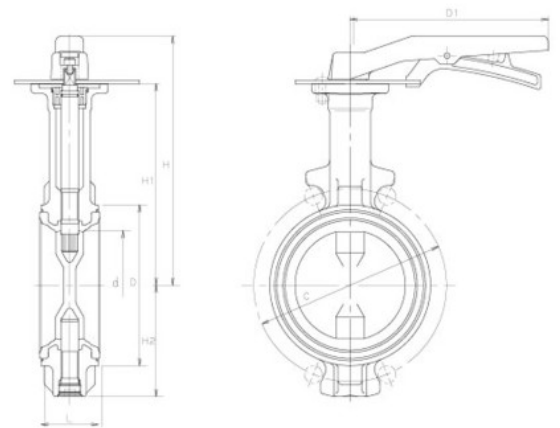
End to End : JIS B2032 46 SERIES, End Connection : WAFER TYPE (JIS

5K, 10K), Wall Thickness : MANUFACTURER STANDARD, Test Standard :

MANUFACTURER STANDARD, Sizes : 2-6inch(50-150mm), BODY MATERIAL

: DUCTILE IRON, STEM MATERIAL : STAINLESS STEEL, SEAT RUBBER(4) MATERIAL

: NBR, Fig : 10L1-N-U



For more details, please refer to the drawing.

Pressure-temperature ratings and other performance data published in this catalog have been developed from our design calculation, in-house testing, field reports provided by our customers and/or published official standards or specifications. They are good only to cover typical applications as a general guideline to users of KITZ products introduced in this catalog. For any specific application, users are kindly requested to contact KITZ Corporation for technical advice, or to carry out their own study and evaluation for proving suitability of these products to such an application. Failure to follow this request could result in property damage and/or personal injury, for which we shall not be liable. Read instruction manual carefully before use.



Toyo Valve

KITZ CORPORATION 1-10-1 Nakase, Mihama-ku, Chiba 261-8577, Japan
© KITZ Corporation. All Right Reserved.

ISO 9001
CERTIFIED
Since 1989