

Socket Adapters (for power tools)

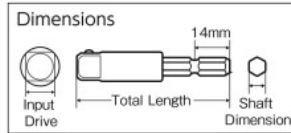
For Impact Screwdrivers, see p. 5-77 to 100/For Drill Screwdrivers, see p. 5-124 to 156 The number next to the logo mark indicates items in stock for each brand.

TRUSCO Stock **38,650** Items **Electric Screwdriver Socket Adapter**



TEAD-3

- Features**
- Can use a manual socket attached such as to an electric screwdriver.
 - Hexagonal shank part (6.35mm) is a press-fit type and strong. (TEAD-2 is a one-piece)
- Materials**
- Chrome vanadium steel (SCRV4)
- Origin**
- Japan



Order Unit: 1 Piece (Price revision date: Jan, 2018) TRUSCO NAKAYAMA CORPORATION

Order Code	Item No.	Price (per piece)	MSRP (per piece)	Input Drive (mm)	Shaft Dimension (mm)	Total Length (mm)	SPQ (piece)	Weight (g)
252-9670	TEAD-2	¥694	¥750	6.35	6.35	43	6	13
252-9688	TEAD-3	¥741	¥800	9.5	6.35	62	6	34
252-9700	TEAD-4	¥806	¥870	12.7	6.35	66	6	65

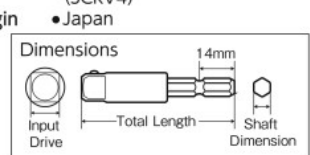
Contact us:0120-509-849 <http://www.orange-book.com/>

TRUSCO Stock **38,650** Items **Electric Screwdriver Socket Adapter**



TEAD-3F

- Features**
- Can use a manual socket attached such as to an electric screwdriver.
 - It is a swing type with a swing angle of 10°.
 - It can even be used in the straight condition.
 - Hexagonal shank part (6.35mm) is a press-fit type and strong.
- Materials**
- Chrome vanadium steel (SCRV4)
- Origin**
- Japan



Order Unit: 1 Piece (Price revision date: Jan, 2018) TRUSCO NAKAYAMA CORPORATION

Order Code	Item No.	Price (per piece)	MSRP (per piece)	Input Drive (mm)	Shaft Dimension (mm)	Total Length (mm)	SPQ (piece)	Weight (g)
252-9696	TEAD-3F	¥833	¥900	9.5	6.35	62	6	32
252-9718	TEAD-4F	¥852	¥920	12.7	6.35	66	6	63

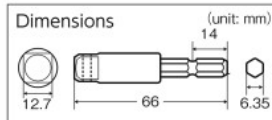
Contact us:0120-509-849 <http://www.orange-book.com/>

TRUSCO Stock **38,650** Items **Electric Screwdriver Impact Socket Adapter**



TEAD-4P

- Features**
- Can be used the impact socket attached such as to electric screw driver.
 - Hexagonal shank part (6.35mm) is a press-fit type and strong.
- Materials**
- Chrome vanadium steel (SCRV4)
- Origin**
- Japan



Order Unit: 1 Piece (Price revision date: Jan, 2018) TRUSCO NAKAYAMA CORPORATION

Order Code	Item No.	Price (per piece)	MSRP (per piece)	Input Drive (mm)	Shaft Dimension (mm)	Total Length (mm)	SPQ (piece)	Weight (g)
252-9726	TEAD-4P	¥750	¥810	12.7	6.35	66	6	59

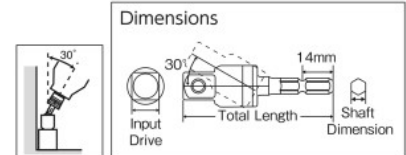
Contact us:0120-509-849 <http://www.orange-book.com/>

TRUSCO Stock **38,650** Items **Electric Screwdriver Socket Adapter**



TEUJ-4A

- Features**
- The swing angle is 30° and it is a universal type.
 - Optimum for working in corners where there are obstacles, such as narrow places.
 - Various sockets can be used attached such as to electric screwdriver.
- Materials**
- Chrome vanadium steel (SCRV4)
- Origin**
- Japan



Order Unit: 1 Piece (Price revision date: Jan, 2018) TRUSCO NAKAYAMA CORPORATION

Order Code	Item No.	Price (per piece)	MSRP (per piece)	Input Drive (mm)	Shaft Dimension (mm)	Total Length (mm)	SPQ (piece)	Weight (g)
253-0252	TEUJ-3A	¥2,343	¥2,530	9.5	6.35	70	6	50
253-0261	TEUJ-4A	¥2,851	¥3,080	12.7	6.35	74	6	60

Contact us:0120-509-849 <http://www.orange-book.com/>

TONE Stock **2,937** Items **Socket adapter for power drill**



2BSA-16

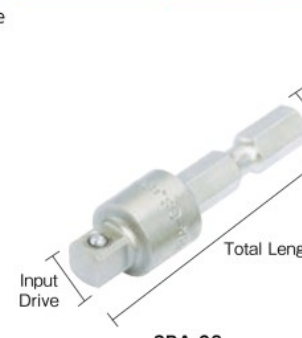
- Features**
- This adapter enables the use of sockets with power drill.
- Materials**
- Structural Steel
- Origin**
- Japan

Order Unit: 1 Piece TONE CO. LTD.

Order Code	Item No.	Price (per piece)	MSRP (per piece)	Input Drive (mm)	Shaft Dimension (mm)	Total Length (mm)	SPQ (piece)	Weight (g)
323-1054	2BSA-08	¥648	¥810	6.35	6.35	45	6	15
323-1062	2BSA-12	¥1,057	¥1,320	9.5	6.35	50	6	23
323-1071	2BSA-16	¥1,180	¥1,470	12.7	6.35	55	6	40

Contact us:0721-56-1850 <http://www.tonetool.co.jp/>

TONE Stock **2,937** Items **Socket adapter for power drill**



2BA-08

- Features**
- This adapter enables the use of sockets with power tools (power drill screwdriver).
 - Socket replacement can be done quickly.
 - Ball type.
- Materials**
- Structural Steel
- Origin**
- Japan

Order Unit: 1 Piece TONE CO. LTD.

Order Code	Item No.	Price (per piece)	MSRP (per piece)	Input Drive (mm)	Shaft Dimension (mm)	Total Length (mm)	SPQ (piece)	Weight (g)
759-5492	2BA-08	¥725	¥900	6.35	6.35	47	6	20
759-5506	2BA-12	¥849	¥1,060	9.5	6.35	49	6	23
759-5514	2BA-16	¥856	¥1,070	12.7	6.35	51	6	36

Contact us:0721-56-1850 <http://www.tonetool.co.jp/>