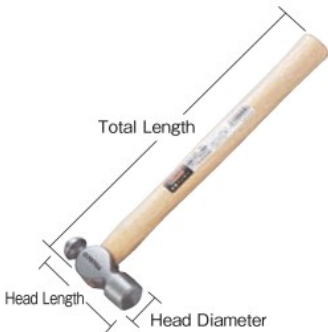


Prices displayed include 8% tax.

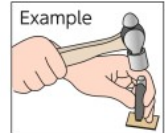
TRUSCO Stock 38,650 Items

Single Hand Hammer



TKH-06

- Features**
- The head is completely quenched (hardness 50 to 55 degrees), the handle is lighter than the oak, strong and elastic hickory is used.
- Materials**
- Head: Carbon steel
 - Handle: Hickory
- Origin**
- China



Order Unit: 1 Piece

TRUSCO NAKAYAMA CORPORATION

Order Code	Item No.	Price (per piece)	MSRP (per piece)	Designation	Head Diameter (mm)	Head Length (mm)	Total Length (mm)	SPQ (piece)	Weight (kg)
232-2358	TKH-02	¥1,138	¥1,230	1/4 Pound	19.1	64.4	273	12	0.18
232-2366	TKH-05	¥1,176	¥1,270	1/2 Pound	23.5	82.5	292	12	0.38
232-2374	TKH-06	¥1,203	¥1,300	3/4 Pound	28.5	91.0	316	6	0.44
232-2382	TKH-10	¥1,405	¥1,518	1 Pound	30.5	102.0	317	6	0.60
232-2391	TKH-15	¥1,814	¥1,960	1 1/2 Pound	35.5	119.8	345	6	1.03
232-2404	TKH-20	¥2,370	¥2,560	2 Pound	38.5	126.0	383	6	1.10
232-2412	TKH-25	¥2,685	¥2,900	2 1/2 Pound	43.5	135.0	421	6	1.47
232-2421	TKH-30	¥2,971	¥3,210	3 Pound	47.5	145.0	447	4	1.76

Handle

- Accessories**
- Wedge: TKH-02K to 10K (1 piece) TKH-15K to 30K (2 pieces)

Order Unit: 1 Piece

Order Code	Item No.	Price (per piece)	MSRP (per piece)	Compatible Hammer Designation		Compatible Model	SPQ (piece)	Weight (g)
				(pound)	(g)			
288-9595	TKH-02K	¥435	¥470	#1/4	100	TKH-02	12	75
288-9609	TKH-05K	¥435	¥470	#1/2	250	TKH-05	12	113
288-9617	TKH-06K	¥537	¥580	#3/4	350	TKH-06	12	134
288-9625	TKH-10K	¥565	¥610	#1	450	TKH-10	12	174
288-9633	TKH-15K	¥694	¥750	#1 1/2	650	TKH-15	12	246
288-9641	TKH-20K	¥694	¥750	#2	900	TKH-20	12	274
288-9650	TKH-25K	¥741	¥800	#2 1/2	1100	TKH-25	12	301
288-9668	TKH-30K	¥833	¥900	#3	1300	TKH-30	12	314

Contact us: 0120-509-849 <http://www.orange-book.com/>

TRUSCO Stock 38,650 Items

Single Hand Hammer



TKH-05G

- Features**
- Excellent in durability and safety with adoption of fiberglass handle.
 - Adopts a soft grip which is hard to slip and is gentle to the hands.
- Materials**
- Head: Carbon steel (quenching hardness HRC45 to 60)
 - Handle: Polypropylene (PP), fiberglass
 - Handle surface: Polypropylene (PP)
 - Grip: Thermoplastic rubber (TPR)
- Origin**
- China

Order Unit: 1 Piece

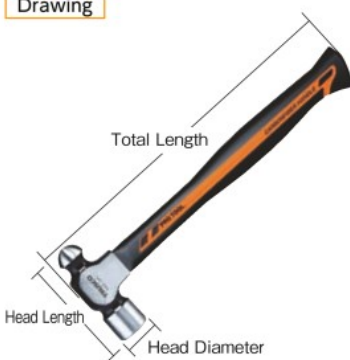
TRUSCO NAKAYAMA CORPORATION

Order Code	Item No.	Price (per piece)	MSRP (per piece)	Designation	Head Diameter (mm)	Head Length (mm)	Total Length (mm)	SPQ (piece)	Weight (kg)
415-8661	TKH-05G	¥1,944	¥2,100	1/2 Pound	23.0	83.0	278	12	0.39
415-8679	TKH-06G	¥1,999	¥2,160	3/4 Pound	28.0	91.0	283	6	0.53
415-8687	TKH-10G	¥2,120	¥2,290	1 Pound	30.5	100.0	327	6	0.78
415-8695	TKH-15G	¥2,582	¥2,790	1 1/2 Pound	35.0	118.0	383	4	1.05
415-8709	TKH-20G	¥2,971	¥3,210	2 Pound	39.0	125.5	385	4	1.21

Contact us: 0120-509-849 <http://www.orange-book.com/>

TRUSCO Stock 38,650 Items

Single Hand Hammer



TKH-10C

- Features**
- We realized a weight saving by adopting light and strong carbon fiber handle which is often used for sports equipment.
 - Adopts a handle with a non-slip material.
- Materials**
- Head: Carbon steel (quenching hardness HRC45 to 60)
 - Handle: Polypropylene (PP), carbon fiber
 - Grip: Thermoplastic rubber (TPR)
- Origin**
- Taiwan

Order Unit: 1 Piece

TRUSCO NAKAYAMA CORPORATION

Order Code	Item No.	Price (per piece)	MSRP (per piece)	Designation	Head Diameter (mm)	Head Length (mm)	Total Length (mm)	SPQ (piece)	Weight (kg)
415-8601	TKH-10C	¥2,193	¥2,370	1 Pound	30.5	100.0	327	6	0.65
415-8610	TKH-13C	¥2,398	¥2,590	1 1/4 Pound	32.0	107.0	330	6	0.78
415-8628	TKH-15C	¥2,647	¥2,860	1 1/2 Pound	35.0	118.0	383	4	0.97
415-8636	TKH-20C	¥3,055	¥3,300	2 Pound	39.0	125.5	385	4	1.17

Contact us: 0120-509-849 <http://www.orange-book.com/>