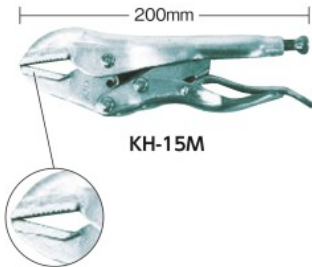


Prices displayed include 8% tax.

KAKUTA Stock **181** Items **Hand Vise** **RoHS**

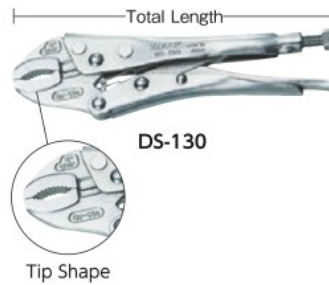


KH-15M

Gripping opening shape

- Features** • The holding mouth is straight.
Materials • Steel (SS400)
Origin • Japan

THREE PEAKS Stock **100** Items **Machine Screw Vise Grip** **RoHS**



DS-130

Tip Shape

- Features** • With a lock that can fix after grasping the screw head.
 • The screw removal function is added to the vice plier.
 • The diamond-shape tip holding part, which is proprietary design, reliably grasps by means of 3 point support.
Materials • Chromium molybdenum steel
 • Cold rolled steel plate
Origin • Japan

Commodity Stamp
No.15 Medium

Order Unit: 1 Piece OSAKA KAKUTA KOGYO CO.LTD

| Order Code | Item No. | Price (per piece) | MSRP (per piece) | Total Length (mm) | Max Opening (mm) | Max Clamping Pressure (kN) | SPQ (piece) | Weight (g) |
|------------|----------|-------------------|------------------|-------------------|------------------|----------------------------|-------------|------------|
| 360-3466 | KH-15M | ¥1,805 | - | 200 | 20 | 5.8 | 6 | 480 |

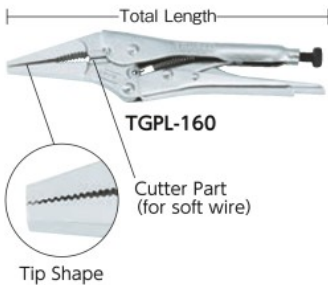
Contact us: 06-6772-6801 <http://www.clamp-kakuta.com/>

Order Unit: 1 Piece (Price revision date: Dec, 2015) THREE PEAKS GIKEN Co.Ltd.

| Order Code | Item No. | Price (per piece) | MSRP (per piece) | Total Length (mm) | Compatible Machine Screw Diameter (mm) | SPQ (piece) | Weight (g) |
|------------|----------|-------------------|------------------|-------------------|--|-------------|------------|
| 436-1067 | DS-130 | ¥1,921 | ¥2,490 | 138 | φ2.3 to 9 | 6 | 140 |
| 436-1091 | DS-200 | ¥2,484 | ¥3,220 | 210 | φ3.5 to 14 | 6 | 420 |

Contact us: 0256-33-0571 <http://www.3peaks.co.jp/>

TRUSCO Stock **38,650** Items **Long Nose Grip Pliers**



TGPL-160

Tip Shape

- Features** • A long nose type that easily enters even in a narrow place.
Specs • Full hardened product: Head hardness HRC50 to 55, body hardness HRC35 to 45
 • With wire cutter
Materials • Special Steel
Origin • China

For Replacement Springs, see p. 4-1765

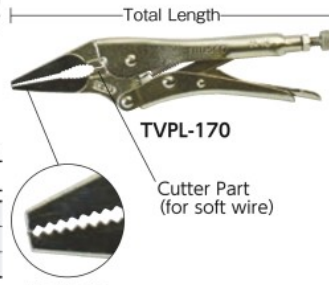
| Item No. | Opening (mm) | | | |
|----------|---------------|-----|------|-----|
| | Square Timber | | Pipe | |
| | Min | Max | Min | Max |
| TGPL-160 | 1 | 10 | φ3 | φ21 |
| TGPL-225 | 1 | 15 | φ3 | φ25 |

Order Unit: 1 Piece (Price revision date: Jan, 2015) TRUSCO NAKAYAMA CORPORATION

| Order Code | Item No. | Price (per piece) | MSRP (per piece) | Total Length (mm) | Max Clamping Pressure (kN) | Cutting Performance Soft Wire (mm) | SPQ (piece) | Weight (g) |
|------------|----------|-------------------|------------------|-------------------|----------------------------|------------------------------------|-------------|------------|
| 253-4991 | TGPL-160 | ¥1,047 | ¥1,130 | 165 | 1.5 | φ1.2 | 5 | 170 |
| 253-5009 | TGPL-225 | ¥1,250 | ¥1,350 | 216 | 2.5 | φ2.3 | 5 | 370 |

Contact us: 0120-509-849 <http://www.orange-book.com/>

TRUSCO Stock **38,650** Items **Long Nose Grip Pliers**



TVPL-170

Tip Shape

- Features** • The main body is tough and durable by full quenching.
 • A long nose type that easily enters even in a narrow place.
Specs • With wire cutter
Materials • Chromium Molybdenum Steel
Origin • Taiwan

For Replacement Springs, see p. 4-1765

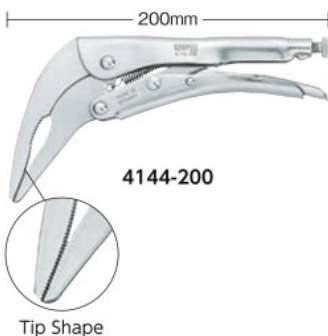
| Item No. | Opening (mm) | | | |
|----------|---------------|-----|------|-----|
| | Square Timber | | Pipe | |
| | Min | Max | Min | Max |
| TVPL-170 | 1 | 50 | φ1 | φ35 |
| TVPL-230 | 1 | 65 | φ1 | φ38 |

Order Unit: 1 Piece TRUSCO NAKAYAMA CORPORATION

| Order Code | Item No. | Price (per piece) | MSRP (per piece) | Total Length (mm) | Max Clamping Pressure (kN) | Cutting Performance Soft Wire (mm) | SPQ (piece) | Weight (g) |
|------------|----------|-------------------|------------------|-------------------|----------------------------|------------------------------------|-------------|------------|
| 374-6135 | TVPL-170 | ¥1,545 | ¥1,670 | 170 | 2.9 to 5.8 | φ2.3 | 10 | 180 |
| 374-6143 | TVPL-230 | ¥1,869 | ¥2,020 | 230 | 4.9 to 7.8 | φ2.3 | 10 | 367 |

Contact us: 0120-509-849 <http://www.orange-book.com/>

KNIPEX Stock **942** Items **Long Nose Grip Pliers** **New**



4144-200

Tip Shape

- Features** • Durable against large load and can hold works of various shapes such as round and flat.
 • Suitable for parts difficult to hold due to a long and thin jaw.
Materials • High strength rolled steel (zinc plating)
 • Jaw part: Chrome vanadium steel
Origin • Germany

Order Unit: 1 Piece KNIPEX-Werk C. Gustav Putsch KG

| Order Code | Item No. | Price (per piece) | MSRP (per piece) | Total Length (mm) | Max Opening (mm) | SPQ (piece) | Weight (g) |
|------------|----------|-------------------|------------------|-------------------|------------------|-------------|------------|
| 836-8966 | 4144-200 | ¥7,221 | ¥7,200 | 200 | 30 | 1 | 400 |

URL <http://www.orange-book.com/>

TRUSCO Orange Jr. Book

A pro-tool compact catalog that lists a wide variety of products all in one, including nearly every category on Orange-Book!

Number of Products Listed: approx. 56,000 items

Number of Off-the-shelf Products: approx. 53,200, off-the-shelf ratio 95%

Number of Listed Manufacturers: approx. 1,419 companies

Number of Catalog Pages: approx. 2,700 pages

Published once every 2 years

| Order Code | Item No. | Price (tax not included) |
|------------|-----------|--------------------------|
| 858-5867 | OBJM2018E | ¥5,500 |

Toggle Clamps

Hand Vices

Grip Pliers

C-Clamps

L Type Clamp

Clamps for Temporary Structures

Welding Clamps

Hand Clamps

Bar Clamps

Special Clamps

Vices

Parts for Vices