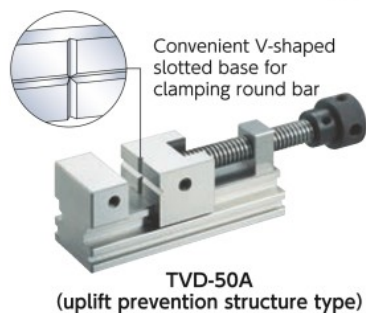
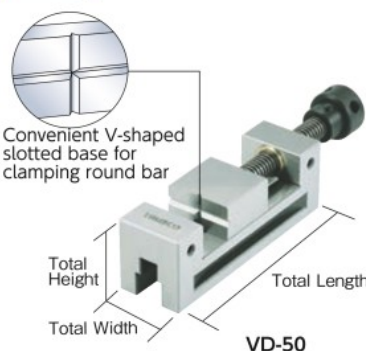




Stock 38,650 Items

Precision Vise (Handle type)



- Features**
- Ultra-precision machining can be applied speedily.
 - Since the four sides are precision polished, it can be used either vertically or horizontally.
 - Super precision machining is realized by outstanding right angle and parallelism.
- Specs**
- Perpendicularity within $\pm 0.005\text{mm}/100\text{mm}$
 - Parallelism within $\pm 0.005\text{mm}/100\text{mm}$
- Materials**
- Main body: carbon tool steel (SKS-93) (Hardness HRC56 to 60)

Standard Type Origin •China

Order Unit: 1 Piece

TRUSCO NAKAYAMA CORPORATION

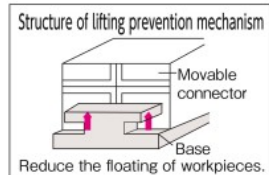
Order Code	Item No.	Price (per piece)	MSRP (per piece)	Total Length x Total Width x Total Height (mm)	Opening Width (mm)	Opening (mm)	Opening Depth (mm)	Max. Tightening Power (kN)	SPQ (piece)	Weight (kg)
122-6991	VD-50	¥37,167	¥40,150	154 x 47 x 53	47	59	24	4.90	4	2.1
122-7009	VD-65	¥41,547	¥44,880	175 x 62 x 59	62	80	29	7.84	4	3.4
122-7017	VD-75	¥48,063	¥51,920	180 x 72 x 69	72	75	29	7.84	4	5.1

Internal Thread/Shaft Set for VD Type Origin •Taiwan

Order Unit: 1 Set

(Price revision date: Jan, 2017)

Order Code	Item No.	Price (per set)	MSRP (per set)	Compatible Model	SPQ (set)	Weight (g/set)
301-1186	VD50M	¥3,398	¥3,670	VD-50	1	30
326-5773	VD65M	¥3,398	¥3,670	VD-65	1	35
301-1194	VD75M	¥3,737	¥4,037	VD-75	1	42



Uplift prevention structure type Origin •China

Order Unit: 1 Piece

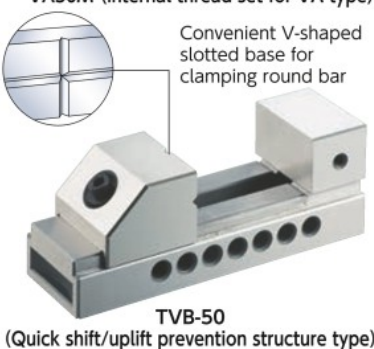
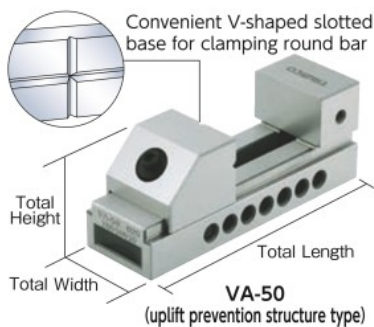
Order Code	Item No.	Price (per piece)	MSRP (per piece)	Total Length x Total Width x Total Height (mm)	Opening Width (mm)	Opening (mm)	Opening Depth (mm)	Max. Tightening Power (kN)	SPQ (piece)	Weight (kg)
328-5812	TVD-50A	¥50,303	¥54,340	140 x 48 x 55	48	75	25	4.90	4	3.6
328-5821	TVD-65A	¥62,218	¥67,210	160 x 63 x 69	63	85	30	7.84	4	4.8
328-5839	TVD-75A	¥72,501	¥78,320	180 x 73 x 78	73	95	35	7.84	4	6.1

Contact us:0120-509-849 <http://www.orange-book.com/>



Stock 38,650 Items

Precision vice (Wrench tightening type)



- Features**
- It is precision finishing of total quenching and total polishing.
 - With the lifting prevention mechanism, it can hold precision for a long time.
 - Super precision machining is realized by outstanding right angle and parallelism.
- Specs**
- Perpendicularity within $\pm 0.005\text{mm}/100\text{mm}$
 - Parallelism within $\pm 0.005\text{mm}/100\text{mm}$
- Materials**
- Main body: carbon tool steel (SKS-93) (Hardness HRC56 to 60)

Uplift prevention structure type Origin •China

Order Unit: 1 Piece

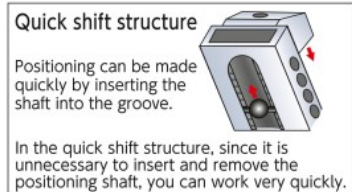
TRUSCO NAKAYAMA CORPORATION

Order Code	Item No.	Price (per piece)	MSRP (per piece)	Total Length x Total Width x Total Height (mm)	Opening Width (mm)	Opening (mm)	Opening Depth (mm)	Max. Tightening Power (kN)	SPQ (piece)	Weight (kg)
122-7505	VA-50	¥24,031	¥25,960	149 x 47 x 57	47	74	29	4.90	4	2.0
122-7513	VA-65	¥30,549	¥33,000	169 x 62 x 62	62	89	34	7.84	4	3.0
122-7521	VA-75	¥35,233	¥38,060	189 x 72 x 66	72	99	34	7.84	4	4.1

Internal Thread Set for VA Type Origin •Taiwan

Order Unit: 1 Set

Order Code	Item No.	Price (per set)	MSRP (per set)	Compatible Model	SPQ (set)	Weight (g/set)
301-1208	VA50M	¥3,230	¥3,490	VA-50	1	53
301-1216	VA65M	¥3,230	¥3,490	VA-65	1	78
326-5781	VA75M	¥3,230	¥3,490	VA-75	1	81



Quick Shift/Uplift Prevention Structure Type Origin •China

Order Unit: 1 Piece

Order Code	Item No.	Price (per piece)	MSRP (per piece)	Total Length x Total Width x Total Height (mm)	Opening Width (mm)	Opening (mm)	Opening Depth (mm)	Max. Tightening Power (kN)	SPQ (piece)	Weight (kg)
328-5847	TVB-50	¥28,206	¥30,470	149 x 47 x 57	47	74	29	4.90	4	1.7
328-5855	TVB-65	¥35,640	¥38,500	169 x 62 x 62	62	89	34	7.84	4	2.8
328-5863	TVB-75	¥43,786	¥47,300	189 x 72 x 66	72	99	34	7.84	4	4.1

Contact us:0120-509-849 <http://www.orange-book.com/>