

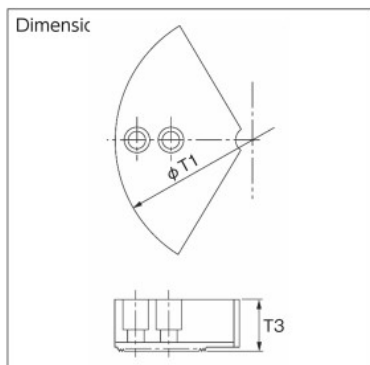
Prices displayed include 8% tax.

THE CUT **Stock 43 Items**

Round Soft Jaw



TKR-06 (set of 3 pieces)



- Features**
- Ideal for chucking thin walls, pipe shape and irregular shapes.
 - It achieves high quality at low cost and stable supply.
- Use**
- Soft jaw for gripping workpieces for lathe machining etc.
- Materials**
- S45C steel
- Origin**
- Vietnam

Order Unit: 1 Set

Maruichi Cutting Tools

Order Code	Item No.	Price (per set)	MSRP (per set)	Chuck size (inches)	Pitch (mm)	T1 (mm)	T3 (mm)	Compatible Manufacturer	Q'ty Per Set (piece)	SPQ (set)	Weight (kg/set)
760-7431	TKR-06	¥25,380	¥23,500	6	1.5	165	36	KITAGAWA/HOWA	3	1	5.0
760-7440	TKR-06-60	¥32,400	¥30,000	6	1.5	165	60	KITAGAWA/HOWA	3	1	8.2
760-7474	TKR-08	¥30,240	¥28,000	8	1.5	205	40	KITAGAWA/MATSUMOTO	3	1	9.0
760-7482	TKR-08-60	¥38,556	¥35,700	8	1.5	205	60	KITAGAWA/MATSUMOTO	3	1	13.0
760-7512	TKR-10	¥36,936	¥34,200	10	1.5	254	40	KITAGAWA	3	1	13.2
760-7521	TKR-10-60	¥46,980	¥43,500	10	1.5	254	60	KITAGAWA	3	1	19.0
760-7563	TKR-12	¥51,408	¥47,600	12	1.5	304	50	KITAGAWA	3	1	22.6
760-7580	TKR-12K	¥51,408	¥47,600	12	1.5	304	50	KITAGAWA	3	1	22.6
760-7466	TKR-06N	¥25,380	¥23,500	6	1.5	165	36	NIKKO	3	1	5.0
760-7504	TKR-08N	¥30,240	¥28,000	8	1.5	205	40	NIKKO	3	1	9.0
760-7555	TKR-10N	¥36,936	¥34,200	10	1.5	254	40	NIKKO	3	1	13.2
760-7598	TKR-12N	¥51,408	¥47,600	12	1.5	304	50	NIKKO	3	1	22.6
760-7491	TKR-08HO	¥30,240	¥28,000	8	1.5	205	40	HOWA	3	1	9.0
760-7547	TKR-10HO	¥36,936	¥34,200	10	1.5	254	40	HOWA	3	1	13.2
760-7571	TKR-12HO	¥51,408	¥47,600	12	1.5	304	50	HOWA	3	1	22.6
760-7458	TKR-06M	¥25,380	¥23,500	6	1.5	165	36	MATSUMOTO	3	1	5.0
760-7539	TKR-10HBP32	¥36,936	¥34,200	10	1.5	254	40	HITACHI	3	1	13.2

Contact us: 06-7638-6544 <http://www.thecut.co.jp/>

TRUSCO **Stock 38,650 Items**

Jaw Nut



- Features**
- In machining using a large number of chucks, by setting a jaw nut on the replacement jaw, efficiency of the changeover is improved.
 - Optimum for pallet chain/work gripper chuck.
- Origin**
- Japan

For HOWA

Order Unit: 1 Set

TRUSCO NAKAYAMA CORPORATION

Order Code	Item No.	Price (per set)	MSRP (per set)	Length (mm)	Bottom Surface Width (mm)	Height (mm)	Upper Layer Width (mm)	Tip Width (mm)	Screw	SPQ (set)	Weight (g/set)
289-9973	JT-H-HO1MA-6	¥8,730	¥9,430	37	17	21.5	12	6	M10	1	150
289-9981	JT-H-HO1MA-8	¥9,257	¥10,000	46	20	23.5	14	8	M12	1	330
289-9965	JT-H-HO1MA-10	¥9,618	¥10,390	51	23	23.5	16	8	M12	1	350
290-0017	JT-H-HO27M-6	¥8,730	¥9,430	37	17	21.5	12	6	M10	1	150
290-0025	JT-H-HO27M-8	¥9,257	¥10,000	45	22	26.5	16	8	M12	1	350
289-9990	JT-H-HO27M-10	¥9,618	¥10,390	52	24	27.5	18	10	M14	1	450

For KITAGAWA

Order Unit: 1 Set

Order Code	Item No.	Price (per set)	MSRP (per set)	Length (mm)	Bottom Surface Width (mm)	Height (mm)	Upper Layer Width (mm)	Tip Width (mm)	Screw	SPQ (set)	Weight (g/set)
290-0076	JT-K-HO-6	¥8,730	¥9,430	36.5	17.5	22.5	12	6	M10	1	150
290-0084	JT-K-HO-8	¥9,257	¥10,000	48.0	20.5	25.5	14	8	M12	1	330
290-0068	JT-K-HO-10	¥9,618	¥10,390	55.0	22.5	25.5	16	8	M12	1	450
290-0033	JT-K-B206	¥8,730	¥9,430	38.0	17.5	18.5	12	6	M10	1	150
290-0041	JT-K-B208	¥9,257	¥10,000	46.5	20.5	20.5	14	8	M12	1	250
290-0050	JT-K-B210	¥9,618	¥10,390	55.0	22.5	21.5	16	8	M12	1	400

For NIKKO

Order Unit: 1 Set

Order Code	Item No.	Price (per set)	MSRP (per set)	Length (mm)	Bottom Surface Width (mm)	Height (mm)	Upper Layer Width (mm)	Tip Width (mm)	Screw	SPQ (set)	Weight (g/set)
300-6867	JT-N-N6	¥8,887	¥9,600	41	13.5	14.5	11	7	M 8	1	130
300-6875	JT-N-N8	¥9,396	¥10,150	50	19.0	15.5	14	9	M10	1	300
300-6883	JT-N-N10	¥9,785	¥10,570	51	26.0	21.0	20	14	M12	1	420

For MATSUMOTO

Order Unit: 1 Set

Order Code	Item No.	Price (per set)	MSRP (per set)	Length (mm)	Bottom Surface Width (mm)	Height (mm)	Upper Layer Width (mm)	Tip Width (mm)	Screw	SPQ (set)	Weight (g/set)
300-6832	JT-M-M6	¥8,887	¥9,600	40	17.5	20	11	7	M 8	1	150
300-6841	JT-M-M8	¥9,396	¥10,150	45	20.0	23	14	8	M12	1	330
300-6859	JT-M-M10	¥9,785	¥10,570	52	23.0	23	16	15	M12	1	450

Contact us: 0120-509-849 <http://www.orange-book.com/>

