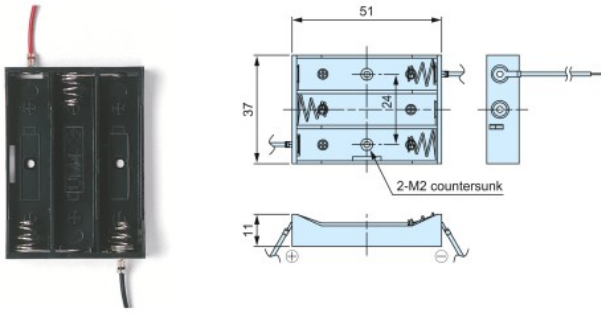
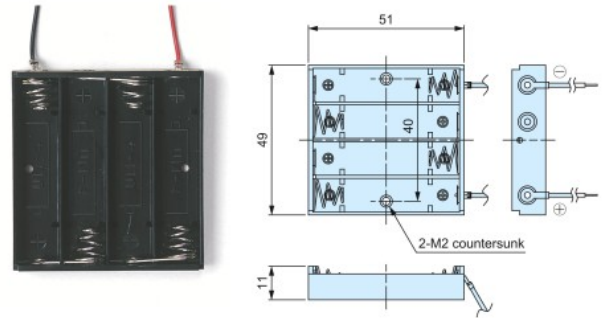


■ DXF/DWG/PDF drawings available on our website.

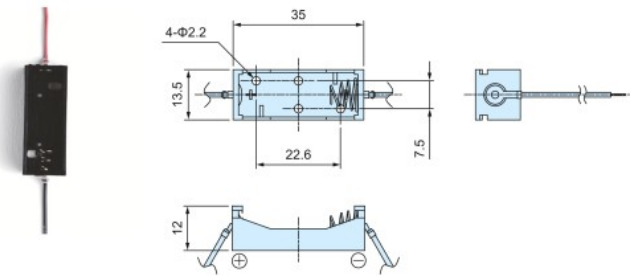
MP-4-3 AAA x 3



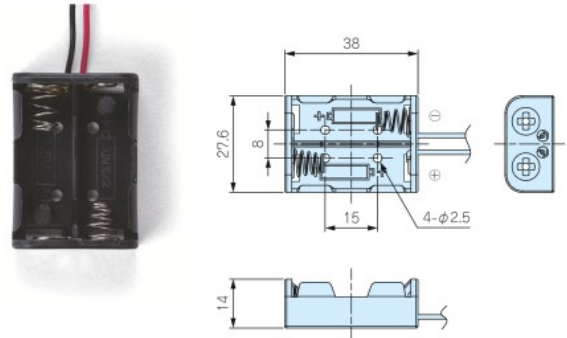
MP-4-4 AAA x 4



MP-5-1N N x 1



BH-521A N x 2



**Components**

Holder material	Holder color	Spring / Finish	Battery contact / Finish	Wire material
PP • PE • ABS	Black	Steel wire / Nickel plated	Brass / Nickel plated	AWG24 • AWG26 (UL1007)

**Product no. / Feature**

Product no.	Matching battery	Holder material	Lead wire	Weight (g)	Pack of	Product no.	Pack of
SN 1-1	D x 1	PP	AWG26 L=170	14.0	1	SN1-1-P	50
SN 1-2	D x 2	PP	AWG26 L=170	22.8	1	SN1-2-P	20
SN 1-4	D x 4	PP	AWG26 L=170	43.0	1	SN1-4-P	20
SN 1-6	D x 6	PP	AWG26 L=170	52.7	1	SN1-6-P	20
BH211-1	C x 1	PP	AWG24 L=150	9.3	1	BH211-1-P	50
SN 2-2	C x 2	PP	AWG26 L=170	16.5	1	SN2-2-P	50
SN 2-4	C x 4	PP	AWG26 L=170	26.0	1	SN2-4-P	50
SN 3-1	AA x 1	PP	AWG26 L=160	4.4	1	SN3-1-P	50
SN 3-2	AA x 2	PE	AWG26 L=160	7.8	1	SN3-2-P	50
SN 3-2A	AA x 2	PP	AWG26 L=160	6.2	1	SN3-2A-P	50
SN 3-3	AA x 3	PP	AWG26 L=160	10.2	1	SN3-3-P	50
SN 3-4	AA x 4	PP	AWG26 L=160	12.1	1	SN3-4-P	50
SN 3-4A	AA x 4	PP	AWG26 L=160	9.8	1	SN3-4A-P	50
MP-3-6	AA x 6	ABS	AWG26 L=150	21.4	1	—	—
SN 3-6A	AA x 6	PP	AWG26 L=160	12.9	1	SN3-6A-P	50
SN 3-6B	AA x 6	PP	AWG26 L=160	15.3	1	SN3-6B-P	50
SN 3-8A	AA x 8	PP	AWG26 L=160	14.8	1	SN3-8A-P	50
MP-4-1	AAA x 1	ABS	AWG26 L=150	3.3	1	—	—
SN 4-2	AAA x 2	PP	AWG26 L=160	5.1	1	SN4-2-P	50
MP-4-3	AAA x 3	ABS	AWG26 L=150	6.9	1	—	—
MP-4-4	AAA x 4	ABS	AWG26 L=150	8.0	1	—	—
MP-5-1N	N x 1	ABS	AWG26 L=150	2.6	1	—	—
BH-521A	N x 2	PP	AWG26 L=150	4.9	1	—	—

■ Bulk package (pack of 50pcs) is available. (Not for MP-3-6, MP-4-1, MP-4-3, MP-4-4, MP-5-1N, and BH521-A models)

**Matching Chart (Battery Box : Battery Holder)**

Box product no.	Holder product no.
MD-006P	MP-4-1 • SN4-2
LD-006P	MP-4-1 • SN4-2
LDN-006P	MP-4-1 • SN4-2