

RS series

PLATED PLASTIC FEET

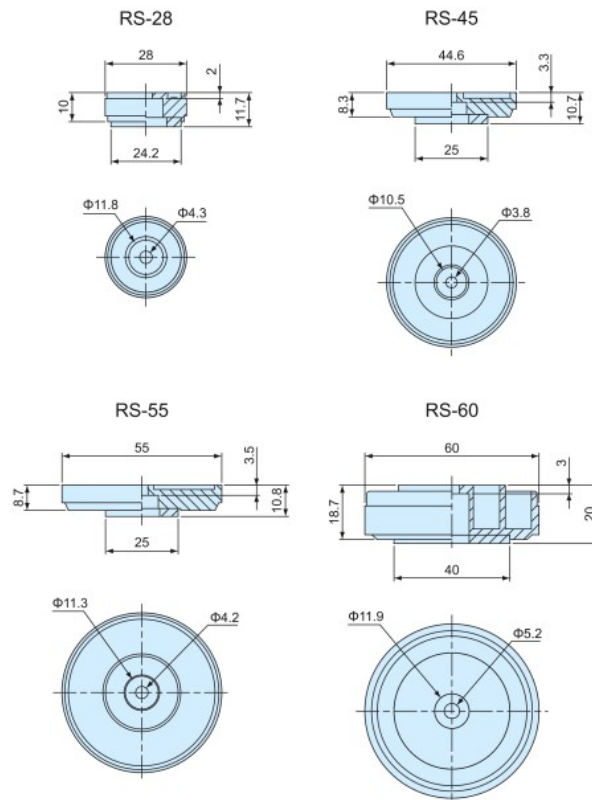


- Suitable for audio equipment use.
- Elastomeric foam pad can be found at the underside of the feet.

Product no. / Dimensions

Product no.		Material	Pack of
● Silver	● Gold		
RS-28S	RS-28G	ABS UL94HB / Polyester / EVA	4
RS-45S	RS-45G	ABS UL94HB / Polyester / EVA	4
RS-55S	RS-55G	ABS UL94HB / Polyester / EVA	4
RS-60S	RS-60G	ABS UL94HB / Polyester / EVA	4

RS dimensions



■ DXF/DWG/PDF drawings available on our website.

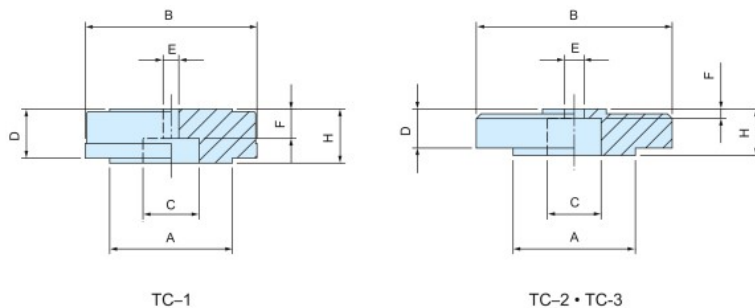
TC series

ALUMINIUM FEET



- Aluminium material gives it a refined and elegant look.
- Suitable for audio equipment use.
- Elastomeric foam pad can be found on the underside of the feet.

TC dimensions



■ DXF/DWG/PDF drawings available on our website.

Product no. / Dimensions

Product no.		A	B	C	D	E	F	H	Material	Pack of
● Silver	● Gold									
TC-1S	TC-1G	25	35	11.5	9.7	3.4	5.6	11.5	ABS UL94HB / Aluminium / EVA	4
TC-2S	TC-2G	25	40	11	10.4	4.1	2.4	12.5	ABS UL94HB / Aluminium / EVA	4
TC-3S	TC-3G	25	45	11.7	13	4.2	7.5	15	ABS UL94HB / Aluminium / EVA	4