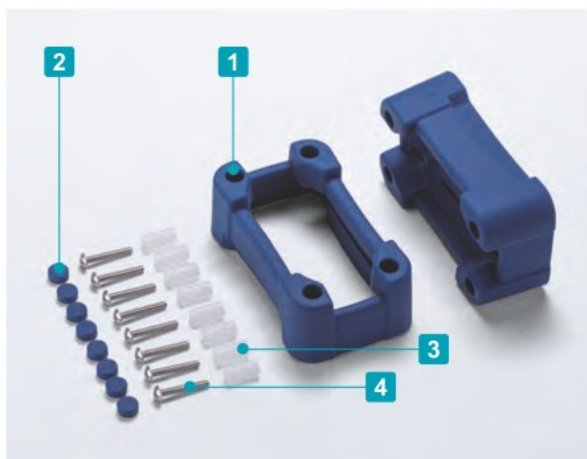
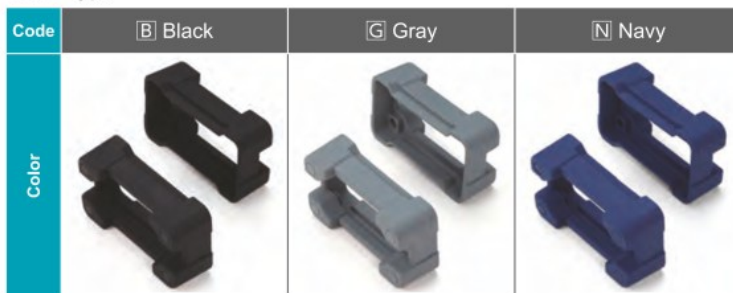


AWSP series

SILICONE PROTECTOR for AWN



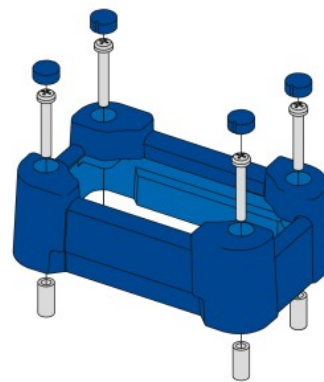
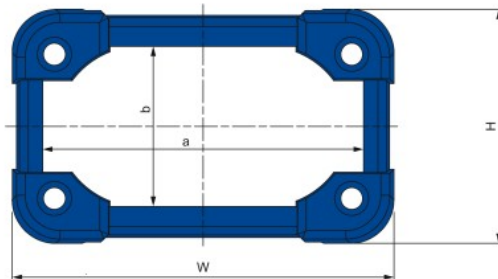
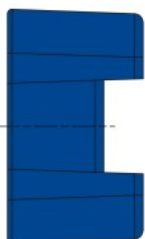
Color Type



- Silicone protector for AWN series.
- Protect switches and/or connectors on end panels from impact when dropped, etc.
Custom color is available from just 1 set. For 250 sets or more, manufacture costs will be similar to a standard color. Please inquire for more details.
For custom color order, please specify _____ color code.

AWSP dimensions

■ DXF/DWG/PDF drawings available on our website.



Components

No.	Part name	Pcs	Material	Color / Finish
1	Protector	2	Silicone	Black • Gray • Navy
2	Blind cap	8	Silicone	Black • Gray • Navy
3	Spacer	8	POM	White
4	Screw	8	Stainless steel	Unfinished

Product no. / Dimensions

■ Please suffix color code at the end of the product number.

Product no.	W	H	D	a	b	Screw size	Suitable models	Weight (g)
AWSP 8-5□	87.4	53.6	31	73.4	36.6	M3	AWN 8-5-□	100.5
AWSP 9-9□	93.9	95.1	35.5	76.9	75.1	M4	AWN 9-9-□	184.5
AWSP11-6□	113.9	65.1	35.5	96.9	45.1	M4	AWN11-6-□	186
AWSP12-8□	127.6	80.1	35.5	110.6	60.1	M4	AWN12-8-□	201
AWSP16-9□	163.9	90.1	35.5	145.9	69.1	M4	AWN16-9-□	235
AWSP21-9□	213.9	90.1	39.5	192.9	66.1	M5	AWN21-9-□	333