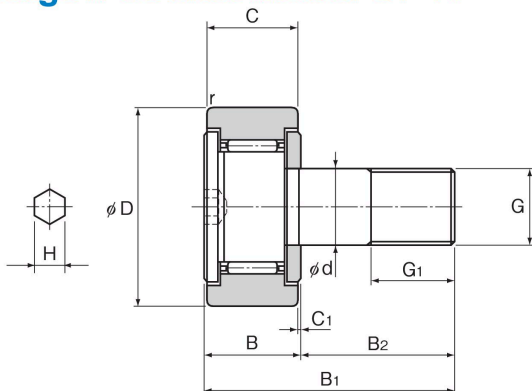


# Cam Follower with Hexagon Socket Model CF-A

Optional specifications		Symbol
Roller guide	With cage	No Symbol
	Full rollers	V
Material	Carbon steel	No Symbol
	Stainless steel	M
Seal	Without seal	No Symbol
	With seal	UU
Outer ring shape	Cylindrical outer ring	No Symbol
	Spherical outer ring	R



Stud diameter	Model No.	Main dimensions										
		Outer diameter	Outer ring width	Threaded			Overall length					Shoulder height f (Min.)
d		D	C	G	G <sub>1</sub>	B	B <sub>1</sub>	B <sub>2</sub>	C <sub>1</sub>	H*	r <sub>min</sub>	
3	CF 3-A	10	7	M3×0.5	5	8	17	9	0.5	2(1.5)	0.2	6.8
4	CF 4-A	12	8	M4×0.7	6	9	20	11	0.5	2.5(2)	0.3	8.6
5	CF 5-A	13	9	M5×0.8	7.5	10	23	13	0.5	3(2.5)	0.3	9.7
6	CF 6-A	16	11	M6×1	8	12	28	16	0.6	3	0.3	11
8	CF 8-A	19	11	M8×1.25	10	12	32	20	0.6	4	0.3	13
10	CF 10-A	22	12	M10×1.25	12	13	36	23	0.6	5	0.3	15
10	CF 10-1-A	26	12	M10×1.25	12	13	36	23	0.6	5	0.3	15

Note) For information on accuracy standards, please refer to **A19-14**.

Those models do not have a greasing hole and cannot be replenished with grease.

## Model number coding

<b>CF10</b>	<b>V</b>	<b>M</b>	<b>UU</b>	<b>R</b>	<b>-A</b>
Model No.	No symbol: With cage				Stud head with a hexagon socket
V	: Full-roller Type				No Symbol: Cylindrical outer ring
	No symbol: Carbon steel				: Spherical outer ring
M	: Stainless steel				
	no symbol: without seal				
UU	: With seal				

Note) Full-roller Type is applicable for Stud Diameter 6 to 10.