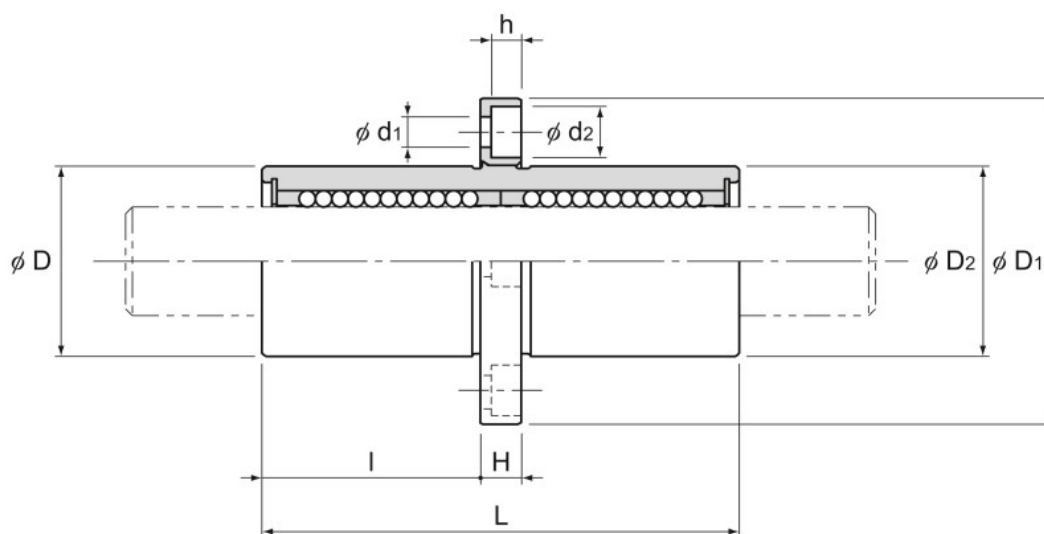


## Model LMCF-L



Model LMCF-L

Model No.	Ball rows	Main dimensions							
		Inscribed bore diameter		Outer diameter		Overall length		Flange diameter	
		dr	Tolerance	D	Tolerance	L	Tolerance	D <sub>1</sub>	Tolerance
LMCF 6L	4	6	0 -0.010	12	0	35	±0.3	28	0 -0.2
LMCF 8L		8		15	-0.013	45		32	
LMCF 10L		10		19	0 -0.016	55		39	
LMCF 12L		12		21		57		42	
LMCF 13L		13		23	61	43			
LMCF 16L	5	16	0 -0.012	28	0 -0.019	70	±0.3	48	0 -0.2
LMCF 20L		20		32		80		54	
LMCF 25L	6	25		40		112		62	

Note) Since this model contains a synthetic resin retainer, do not use it at temperature exceeding 80°C.  
If requiring a type equipped with a seal, indicate it when placing an order.

(Example) LMCF16L UU

\_\_\_\_\_ Seal attached on both ends of the nut