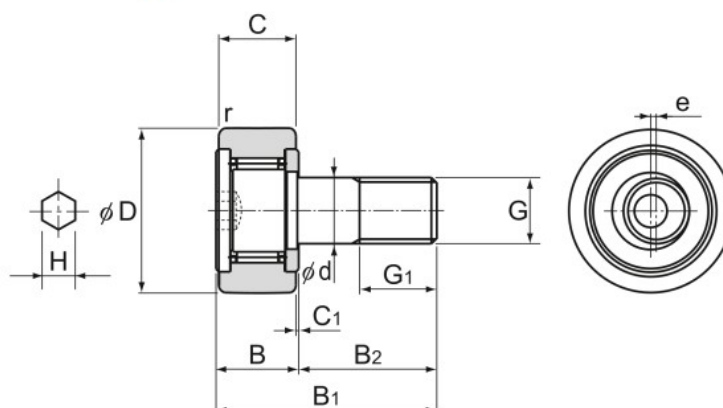


Eccentric Cam Follower with Hexagon Socket Model CFH-A

Optional specifications		Symbol
Roller guide	With cage	No Symbol
	Full rollers	V
Material	Carbon steel	No Symbol
	Stainless steel	M
Seal	Without seal	No Symbol
	With seal	UU
Outer ring shape	Cylindrical outer ring	No Symbol
	Spherical outer ring	R



Stud diameter d	Model No.	Main dimensions											
		Outer diameter D	Outer ring width C	Threaded G	G_1	B	Overall length B_1	B_2	C_1	Runout e	H	r_{\min}	Shoulder height f (Min.)
5	CFH 5-A	13	9	M5×0.8	7.5	10	23	13	0.5	0.2	3	0.3	9.7
6	CFH 6-A	16	11	M6×1	8	12	28	16	0.6	0.25	3	0.3	11
8	CFH 8-A	19	11	M8×1.25	10	12	32	20	0.6	0.25	4	0.3	13
10	CFH 10-A	22	12	M10×1.25	12	13	36	23	0.6	0.3	5	0.3	15
10	CFH 10-1-A	26	12	M10×1.25	12	13	36	23	0.6	0.3	5	0.3	15

Note) THK also manufactures types that have a driver groove and a lubrication hole on the head. (Model numbers of types with a driver groove do not include symbol "-A" in the end.)

For information on accuracy standards, please refer to **A19-14**.

Those models do not have a lubrication hole and cannot be replenished with grease.

Model number coding

CFH10 V M UU R -A

Model No.

No symbol: With cage

V : Full-roller Type

No symbol: Carbon steel

M : Stainless steel

No symbol: without seal

UU : With seal

Stud head with a hexagon socket

No Symbol : Cylindrical outer ring

R : Spherical outer ring

Note: For accessories, please refer to **A19-38**.