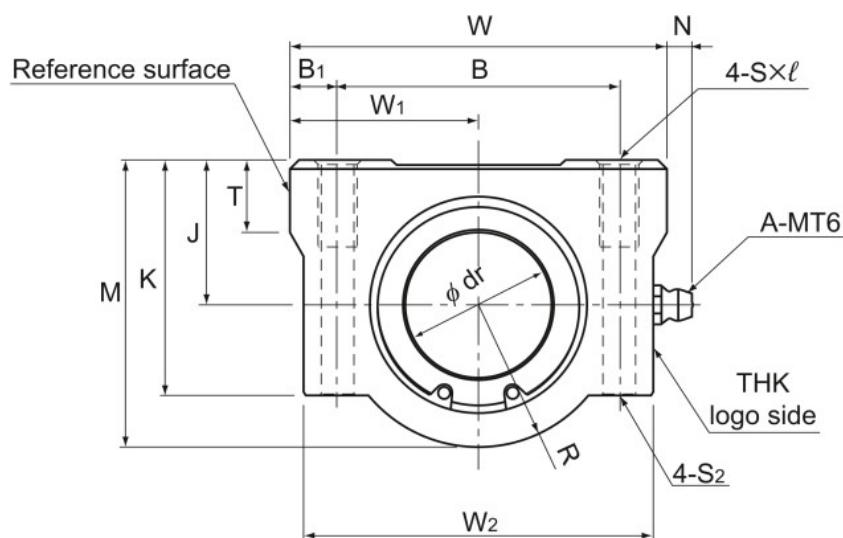


Model SL



Model SL

Model No.	Outer dimensions			LM casing dimensions						
	Height M	Width W	Length L	Mounting hole position			Tap S×ℓ	Through bolt model No, S ₂	Center height J ±0.02	W ₁ ±0.02
				B	B ₁	C				
SL 6UU	18	30	48	20	5	36	M4×8	M3	9	15
SL 8UU	22	34	58	24	5	42	M4×8	M3	11	17
SL 10UU	26	40	68	28	6	46	M5×12	M4	13	20
SL 12UU	29	42	70	30.5	5.75	50	M5×12	M4	15	21
SL 13UU	30	44	75	33	5.5	50	M5×12	M4	15	22
SL 16UU	38.5	50	85	36	7	60	M5×12	M4	19	25
SL 20UU	42	54	96	40	7	70	M6×12	M5	21	27
SL 25UU	51.5	76	130	54	11	100	M8×18	M6	26	38
SL 30UU	59.5	78	140	58	10	110	M8×18	M6	30	39

Note) Since this model contains a synthetic resin retainer, do not use it at temperature exceeding 80°C.

A stainless steel Linear Bushing model LM-MG, which is highly corrosion resistant, can also be incorporated at your request.

Example of Model Number for Use in Combination with
Linear Bushing Units

Linear Bushing to be combined	Example of model No.	
Both end attached with seal	SL 13UU	Standard stock
Without seal	SL 13	Build to order
Made of stainless steel; both end attached with seal	SL 13MUU	Build to order