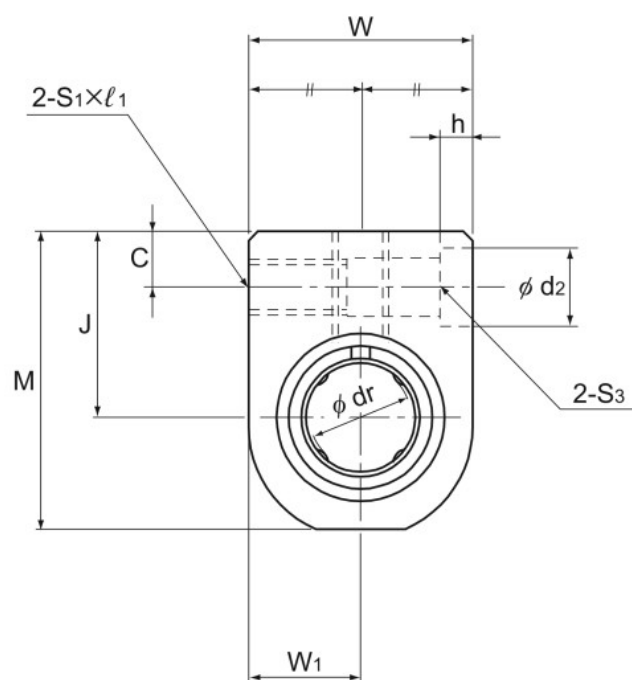


## Model SH-L



Model SH-L

Model No.	Outer dimensions			LM casing dimensions					
	Height M	Width W	Length L	Mounting hole position			Tap		Through bolt model No, S <sub>3</sub>
				B	B <sub>1</sub>	C	S <sub>1</sub> × l <sub>1</sub>	S <sub>2</sub> × l	
SH 3LUU	14	10	23	10	18	3	M3 × 6	M3 × 5.5	M2
SH 4LUU	16	12	27	14	22	3	M3 × 6	M3 × 6	M2
SH 5LUU	18	14	32	18	26	3	M3 × 6	M3 × 6	M2
SH 6LUU	22	16	40	20	30	5	M4 × 8	M4 × 8	M3
SH 8LUU	26	20	52	30	42	5	M4 × 8	M5 × 8.5	M3
SH 10LUU	32	26	60	36	50	6	M5 × 10	M6 × 9.5	M4
SH 12LUU	34	28	62	36	50	6	M5 × 10	M6 × 9.5	M4
SH 13LUU	36	30	66	40	54	6	M5 × 10	M6 × 9.5	M4
SH 16LUU	42	36	76	52	66	6	M5 × 10	M6 × 10	M4
SH 20LUU	49	42	86	58	72	7	M6 × 12	M6 × 12	M5

Note) Since this model contains a synthetic resin retainer, do not use it at temperature exceeding 80°C.

A stainless steel Linear Bushing model LM-MG, which is highly corrosion resistant, can also be incorporated at your request.

Example of Model Number for Use in Combination with Linear Bushing Units

Linear Bushing to be combined	Example of model No.	
Both end attached with seal	SH 13LUU	Standard stock
Without seal	SH 13L	Build to order
Made of stainless steel; both end attached with seal	SH 13MLUU	Build to order