

## KST-S

### CUTTING BITE & HOLDER SET

#### ► Features

- Mold forged with special steel and heat treatment.
- The hale processing type enables softer shocking to the bite and smoother cutting operation.
- 1 bite is included.

Item No.	Applicable bite	Applicable holder	N.W. (g)
<b>KST1S</b>	KSTB1	KST1	305
<b>KST2S</b>	KSTB2S	KST2	350
<b>KST3S</b>	KSTB3	KST3	688



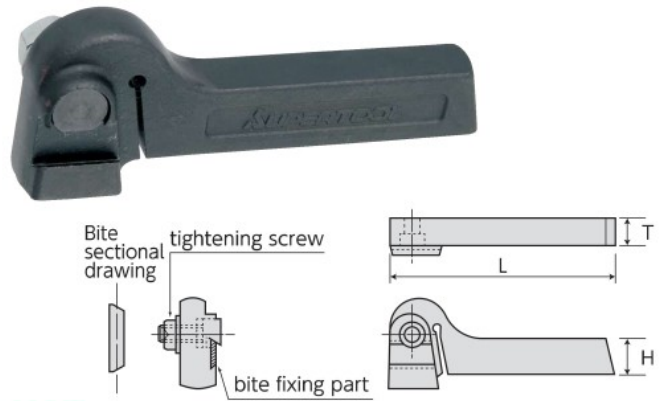
## KSTB·KSTB-S

### CUTTING BITE

#### ► Feature

- Heat treatment appropriately applied to a special steel enables excellent toughness and outstanding durability.
- Material : SKH57
- Hardness : 66~68HRC

Item No.	Size (mm)			Applicable holder	N.W. (g)
	L	H	T		
<b>KSTB1</b>	90	12.7	3.2	KST1	25
<b>KSTB2S</b>	115	15.9	4	KST2	50
<b>KSTB3</b>	140	19	4.8	KST3	88



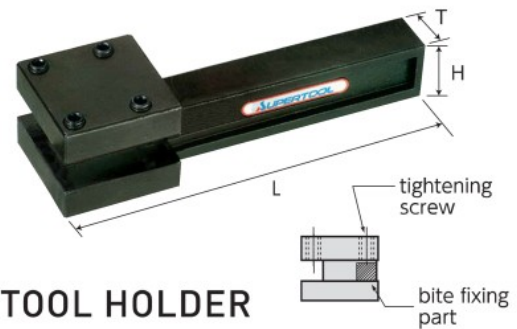
## KST

### CUTTING BITE HOLDER

#### ► Features

- Mold forged with special steel and heat treatment.
- The hale processing type enables softer shocking to the bite and smoother cutting operation.

Item No.	Holder size (mm)			Bite size (mm)	N.W. (g)
	L	H	T		
<b>KST1</b>	115	19	13	3.2×12.7×90	280
<b>KST2</b>	135	22	15	4×15.9×115	300
<b>KST3</b>	160	25	17	4.8×19×140	600



## KBT

### BITE TOOL HOLDER

#### ► Feature

- Suitable for a wide range of operations from auto lathe to NC lathe.

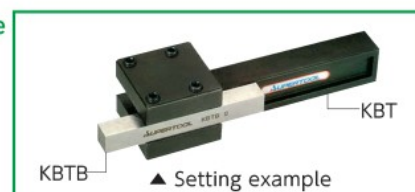
Item No.	Holder size (mm)			Applicable bite	Bite size (mm)	N.W. (g)
	L	H	T			
<b>KBT10</b>	115	16	13	KBTB1	□6.35(1/4)×65	270
<b>KBT20</b>	120	20	15	KBTB2	□9.52(3/8)×75	430
<b>KBT30</b>	140	20	17	KBTB3	□12.7(1/2)×100	660

## KBTB

### CUTTING BITE

- Material : SKH57
- Hardness : 66~68HRC

#### ► Example of use



Item No.	Size (mm)	Applicable holder	N.W. (g)
<b>KBTB1</b>	□6.35(1/4)×65	KBT10	21
<b>KBTB2</b>	□9.52(3/8)×75	KBT20	55
<b>KBTB3</b>	□12.7(1/2)×100	KBT30	130

Cut knurling holders, wheels

Roll knurling holders, wheels

Bite holders