

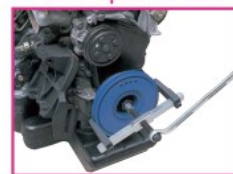
ABW200

SLIDING GEAR PULLER, Super Wide Type

Features

- Ideal for removing car crank pulleys.
- The sliding claws can be fixed to the appropriate position with the cap bolts.
- H indicates the claw reaching length when the forcing screw is lifted to the highest point.

Example of use



Item No.	Size (mm)									Guaranteed load (kN)	N.W. (kg)
	D	t	D1	H	L	T	T1	S	Forcing screw dia.		
ABW200	50~200	50	16	50	18	4	28	17	14	30	1.5

ABWSR200 • ABWJ200

SLIDING GEAR PULLER, Super Wide Type Parts



■ Forcing screw, body (with adaptor)

Item No.	Full length (mm)
ABWSR200	138



■ Claw (1 pc)

Item No.	Full length (mm)
ABWJ200	98

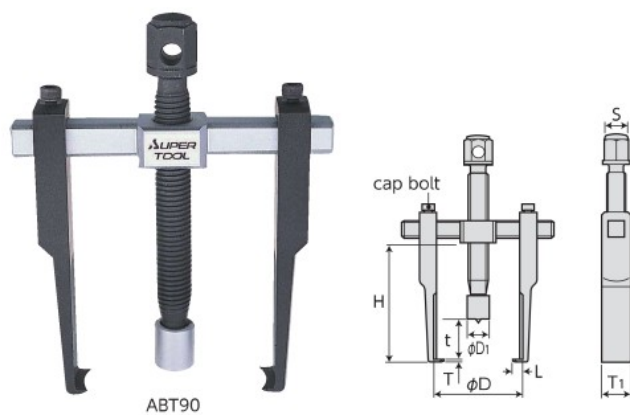
ABT90 • ABT90L

SLIDING GEAR PULLER, Super Thin Claw Type

Features

- Ideal for removing pulleys and gears with little space for claws.
- The sliding claws can be fixed to the appropriate position with the cap bolts.
- ABT90L is long claw type.
- H indicates the claw reaching length when the forcing screw is lifted to the highest point.

Example of use



Item No.	Size (mm)									Guaranteed load (kN)	N.W. (kg)
	D	t	D1	H	L	T	T1	S	Forcing screw dia.		
ABT90	40~90	50	16	70	5	2	22	17	14	25	0.6
ABT90L	40~90	50	16	100	5	2	22	17	14	25	0.8

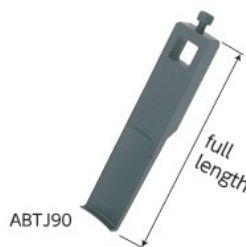
ABTSR90(L) • ABTJ90(L)

SLIDING GEAR PULLER, Super Thin Claw Type Parts



■ Forcing screw, body (with adaptor)

Item No.	Full length (mm)
ABTSR90	138
ABTSR90L	168



■ Claw (1 pc)

Item No.	Full length (mm)
ABTJ90	112.5
ABTJ90L	142.5