

■ Set details (each individual wrench)

Item No.	Hex width across flats (D) (mm)	Size (mm)		N.W. (g)
		L	H	
SHKX1.5	1.5	90	6	1.5
SHKX2	2	100	7	3
SHKXB2.5	2.5	112	8	5.1
SHKXB3	3	126	9	8.3
SHKXB4	4	140	11	16.6

■ Extra Long 9pcs-set

Item No.	Set details	Set N.W.(g)
SHKXB9S	SHKX1.5·2·SHKXB2.5·3·4·5·6·8·10	436

\* 1.5 and 2 are not ball-point but standard hex head.

## SHKX · SHKXB · SHKXB-S

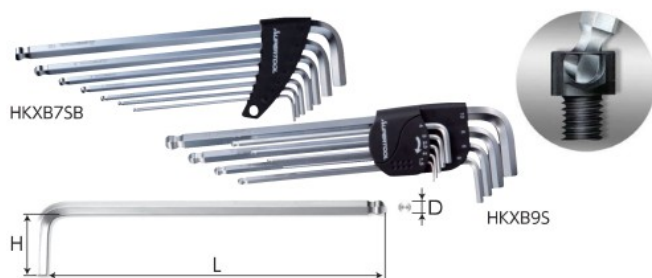
### STUBBY EXTRA LONG ARM BALL-POINT HEX KEY WRENCH

► Features

- Length (H) is designed at less than 1/2 of suitable standard, for use in confined spaces.
- Bent angle of 95° is slightly larger than the standard, so that the fingertips do not touch the surface of the workpiece.
- Up to 25° angle off-axis to screw is allowed.
- Material : SNCM-V ● Finish : Chrome plated matte finish
- Hardness : 55~60HRC

Item No.	Hex width across flats (D) (mm)	Size (mm)		N.W. (g)
		L	H	
SHKXB5	5	160	12	29.6
SHKXB6	6	180	14	48
SHKXB8	8	200	16	95.2
SHKXB10	10	224	19	167.7

\* 1.5 and 2 are not ball-point but standard hex head.



## HKX · HKXB · HKXB-S · HKXB7SB

### EXTRA LONG ARM BALL-POINT HEX KEY WRENCH

► Features

- Up to 25° angle off-axis to screw is allowed.
- Material : SNCM-V ● Finish : Chrome plated matte finish
- Hardness : 55~60HRC

■ Set details (each individual wrench)

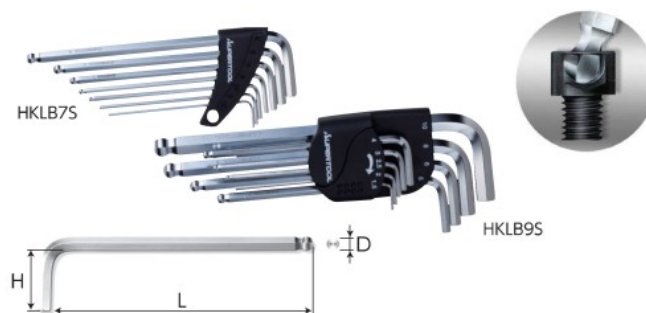
Item No.	Hex width across flats (D) (mm)	Size (mm)		N.W. (g)
		L	H	
HKX1.5	1.5	90	14	1.6
HKX2	2	100	16	3.2
HKXB2.5	2.5	112	18	5.6
HKXB3	3	125	20	9
HKXB4	4	140	24	18
HKXB5	5	158	28	32
HKXB6	6	178	32	52
HKXB8	8	200	36	104.1
HKXB10	10	224	40	182.2

\* 1.5 and 2 are not ball-point but standard hex head.

■ Extra Long 7pcs-set·9pcs-set

Item No.	Set details	Set N.W. (g)
HKXB7S	HKX1.5·2·HKXB2.5·3·4·5·6	122
HKXB7SB	HKXB2.5·3·4·5·6·8·10	463
HKXB9S	HKX1.5·2·HKXB2.5·3·4·5·6·8·10	472

\* 1.5 and 2 are not ball-point but standard hex head.



## HKL · HKLB-S

### LONG ARM BALL-POINT HEX KEY WRENCH

► Features

- Up to 25° angle off-axis to screw is allowed.
- Material : SNCM-V ● Finish : Chrome plated matte finish
- Hardness : 55~60HRC

■ Set details (each individual wrench)

Item No.	Hex width across flats (D) (mm)	Size (mm)		N.W. (g)
		L	H	
HKL1.5	1.5	77	14	1.4
HKL2	2	83	16	2.7
HKLB2.5	2.5	90	18	4.6
HKLB3	3	98	20	7.3
HKLB4	4	106	24	14.3
HKLB5	5	118	28	25.2
HKLB6	6	137	32	42
HKLB8	8	156	36	84.9
HKLB10	10	170	40	145.4

\* 1.5 and 2 are not ball-point but standard hex head.

■ Long 7pcs-set·9pcs-set

Item No.	Set details	Set N.W. (g)
HKLB7S	HKL1.5·2·HKLB2.5·3·4·5·6	99
HKLB9S	HKL1.5·2·HKLB2.5·3·4·5·6·8·10	385

\* 1.5 and 2 are not ball-point but standard hex head.