



GRW-FS

GEAR WRENCH, Flex Short Type

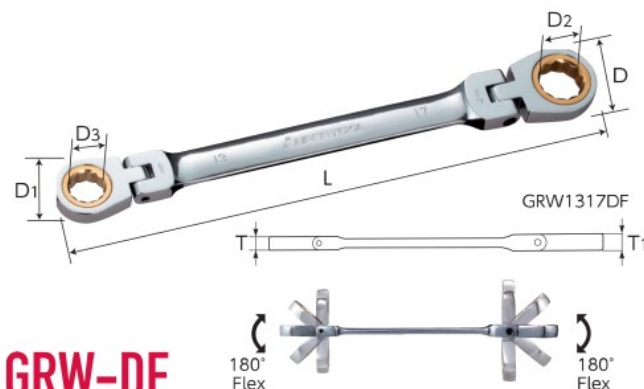
Features

- 72 teeth ratchet with 5° of sweep, best for confined areas.
- Convenient flexible socket head.
- Designed for final tightening.

Applications

- Electric wire, piping and air conditioner
- Machinery equipment
- Automobile repair
- Suitable for any work in confined spaces

Item No.	Size name (mm)	Size (mm)					N.W. (g)
		L	D	D1	T	T1	
GRW8FS	8	93	19.2	18.6	5.6	6.4	38
GRW10FS	10	98	23.4	21.4	6	7	57
GRW12FS	12	111	29.3	25.4	6.8	7.6	83
GRW13FS	13	111	29.3	25.4	7	8.1	83
GRW14FS	14	119	30.4	26.4	7.6	8.5	103
GRW17FS	17	128	36.2	31	8.2	10	141
GRW19FS	19	138	40.4	33	8.6	11	172



GRW-DF

GEAR WRENCH, Double Flex Type

Features

- 72 teeth ratchet with 5° of sweep, best for confined areas.
- Both sides are 180° flexible.
- Designed for final tightening.

Applications

- Electric wire, piping and air conditioner
- Machinery equipment
- Automobile repair
- Suitable for any work in confined spaces

Item No.	Hexagon width across flats D3×D2	Size (mm)					N.W. (g)
		L	D	D1	T	T1	
GRW810DF	8×10	177	22.5	20.5	7.7	8.2	85
GRW1012DF	10×12	194	28	22.5	8.2	9.4	135
GRW1214DF	12×14	212	31	28	9.4	9.7	205
GRW1317DF	13×17	239	34	28	9.4	10.8	235
GRW1719DF	17×19	259	37	34	10.8	11.3	315



GRW700 • GRW700F

GEAR WRENCH 7PCS-SET

Features

- Selected 7 sizes of most frequent use.
- Aluminum case.
- 72 teeth ratchet with 5° of sweep, best for confined areas.
- Designed for final tightening.

Applications

- Electric wire, piping and air conditioner
- Machinery equipment
- Automobile repair
- Suitable for any work in confined spaces

Item No.	Set details	Set Q'ty(pcs)	Set N.W.(g)
GRW700	GRW8•10•12•13•14•17•19	7	1,200
GRW700F	GRW8F•10F•12F•13F•14F•17F•19F	7	1,315



SX60J

OPEN-END SPANNERS 6PCS-SET

Feature

- Spanner pointed ends allow easy handling in confined spaces.

Item No.	Set details	Set N.W.(g)
SX60J	6×7•8×10•11×13•12×14•17×19•22×24	600