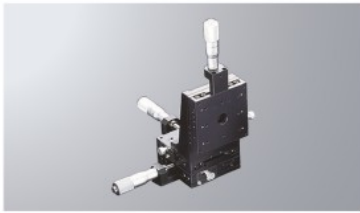


XYZ-axis Cross Roller Guide Stage □25~□80: B71-25/40/60/80

B71-□A (Feeding positionA)



B71-□C (Feeding positionC)



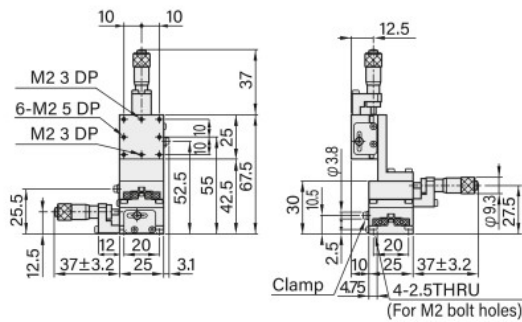
RoHS

- Stages combining XY-axis cross roller guide and Z-axis bracket.
- Main body is light weight by aluminum-made.
- Selectable feeding position center pushing or side pushing.

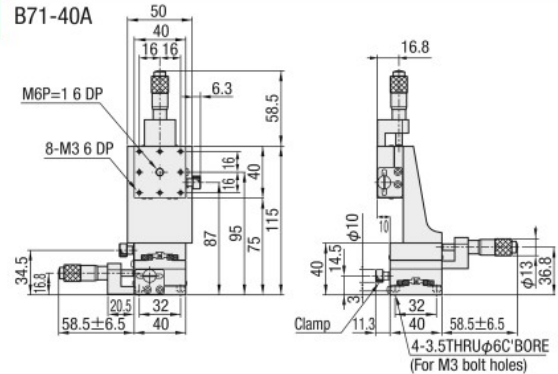
Dimensional outline drawings



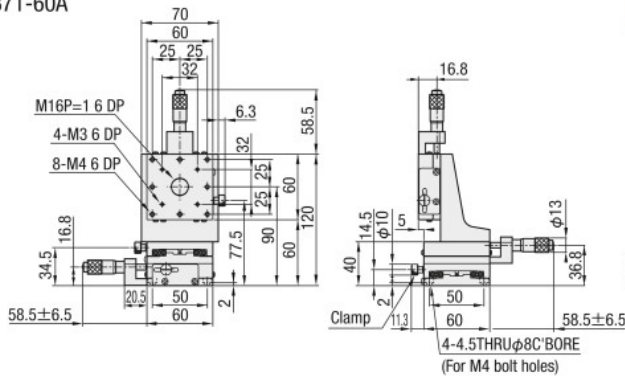
B71-25AN



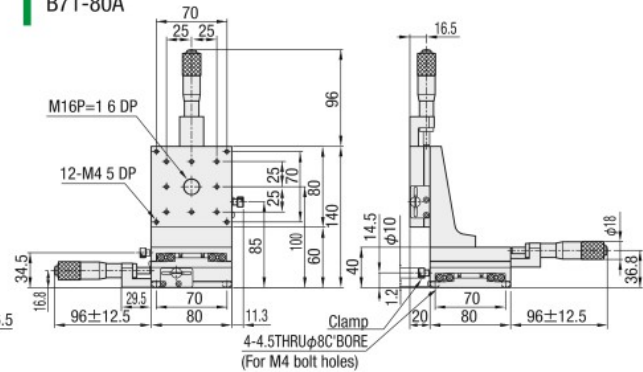
B71-40A



B71-60A



B71-80A



Configuration

Model	B71-	25AN	25CN	Reference page	40A	40C	Reference page	60A	60C	Reference page	80A	80C	Reference page
Z	B31-	25AN	25CN	☞P.2-079	40A	40C	☞P.2-079	60A	60C	☞P.2-079	80A	80C	☞P.2-079
X, Y	B11-	25AN	25CN	☞P.2-069 ~	40A	40C	☞P.2-069 ~	60A	60C	☞P.2-069 ~	80A	80C	☞P.2-071 ~

1 Model
B71-□C

Option code

Select the option code as below.

1 Stage table size

25	25×25mm
40	40×40mm
60	60×60mm
80	80×80mm

2 Feeding position

Specification	Center feeding position	Side looks down
Image		
Code	A ※□25 AN	C ※□25 CN

SPEC

Model	Feeding position	Travel distance (mm)	Load capacity	Allowable load for moment (N·m)			Moment rigidity (°/N·cm)			Verticality (Within)	Motion verticality (Within)	Weight (kg)	Provided screws (Hex socket screws)	
				Pitch	Yaw	Roll	Pitch	Yaw	Roll					
B71-	25	A: Center C: Side	±3.2	0.5kgf [4.9N]	0.4	0.4	0.4	7.68	7.50	7.86	140μm	50μm	0.14	4 of M2 - 6
	40	※ Minimum reading of micrometer 10μm/Scale	±6.5	1.0kgf [9.8N]	2.0	2.0	2.0	1.08	1.12	1.04			0.52	4 of M3 - 6
	60			2.0kgf [19.6N]	4.3	4.3	5.2	0.30	0.29	0.31			0.98	4 of M4 - 6
	80			±12.5	5.0kgf [49N]	15.1	15.1	17.3	0.14	0.14			0.14	

• Main material: Aluminum • Surface finishing: Black alumite processing

X

XY

Z

Horizontal Z

XZ

Horizontal XZ

XYZ

Horizontal XYZ

Goniometer

Rotary

Unit

Accessories

Linear Ball

Cross Roller

Dovetail

□25

□30

□40

□50

□60

□70

□80

□100

□120

Other