

# Manual Stage

## Thin Type XYZ-axis Linear Ball Guide (SS) Stage □40~□80: BSS73 Series

Manual linear stage

BSS73-60A



BSS73-60C



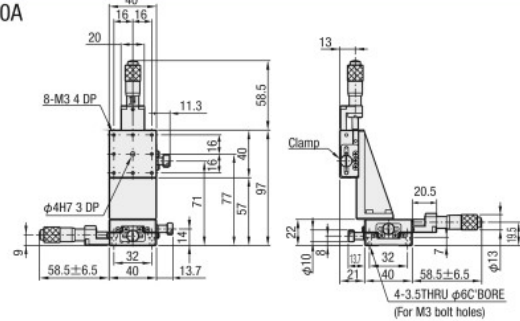
Dimensional outline drawings



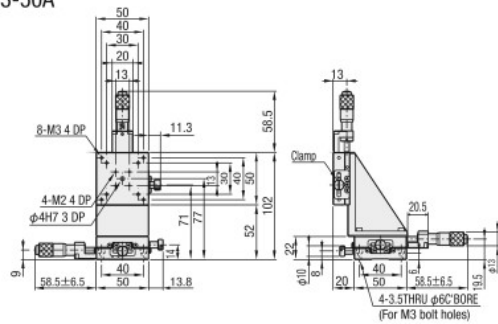
RoHS

CAD 3D·2D

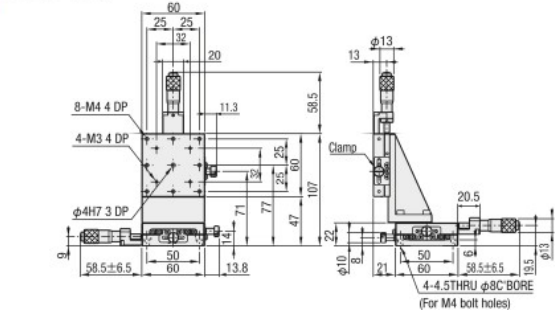
BSS73-40A



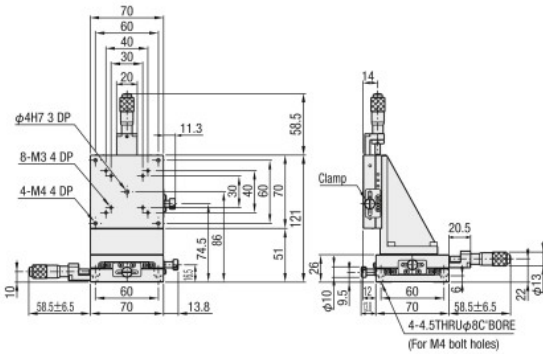
BSS73-50A



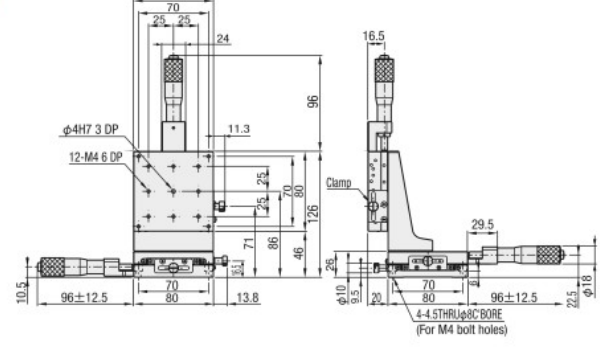
BSS73-60A



BSS73-70A



BSS73-80A



Configuration

Model	BSS73-	40A	40C	40CU	Reference page	50A	50C	50CU	Reference page	60A	60C	60CU	Reference page	70A	70C	70CU	Reference page	80A	80C	80CU	Reference page
Z	BSS36-	40A	40C	40CU	☞P2-057	50A	50C	50CU	☞P2-067	60A	60C	60CU	☞P2-057	70A	70C	70CU	☞P2-057	80A	80C	80CU	☞P2-057
XY	BSS23-	40A	40C		☞P2-038~	50A	50C		☞P2-038~	60A	60C		☞P2-038~	70A	70C		☞P2-038~	80A	80C		☞P2-041~

※R (opposite-hand) means configuration for X/Yor Z-axis of R

1 Model      Option code

**BSS73-**  **CR-**

1      2      3      4

Select the option code as below.

4 Grease specification

Standard grease	Clean environment grease AFF	Grease for the vacuum FOMBLIN
Blank	J	L

1 Stage table size

40	40×40mm
50	50×50mm
60	60×60mm
70	70×70mm
80	80×80mm

2 Feeding position

Specification	Center	Side looks down	Side looks up
Code	A	C	CU

3 Operating position

Specification	Standard	Opposite attached micrometer
Code	Blank	R

SPEC \* Minimum reading of micrometer 10μm/Scale • Main material: Stainless • Surface finishing: BSS (Electroless nickel plating)

Model	Feeding position	Travel distance (mm)	Load capacity	Travel accuracy (Within)			Allowable load for moment (N·m)			Moment rigidity (N/°·cm)			Verticality (Within)	Motor verticality (Within)	Weight (kg)	Provided screws (for socket screws)	
				Straggliness	Pitching	Yawing	Pitch	Yaw	Roll	Pitch	Yaw	Roll					
BSS73-	40	±6.5	5.0kgf [49N]	3μm	40°	20°	4.5	5.0	4.5	1.15	0.89	1.27	95μm	35μm	0.66	4 of M3 - 10	
	50						12.4	11.5	12.4	0.17	0.12	0.18					0.94
	60						9.0	8.1	9.0	0.29	0.24	0.28					1.22
	70						12.4	11.5	12.4	0.17	0.12	0.18					1.76
80		±12.5					16.4	15.9	16.4	0.13	0.08	0.12	110μm	45μm	2.52	4 of M4 - 10	

X

XY

Z

Horizontal Z

XZ

Horizontal XZ

XYZ

Horizontal XYZ

Goniometer

Rotary

Unit

Accessories

Linear Ball

Cross Roller

Dovetail

25

30

40

50

60

70

80

100

120

Other

2 059