

# Manual Stage

## Z-axis Linear Ball Guide (SS) Stage □25~□80: BSS36/BSB36 Series

Manual linear stage

BSS36-60A



BSB36-60A



Low price Linear ball guide BZT series

P.2-053~

RoHS

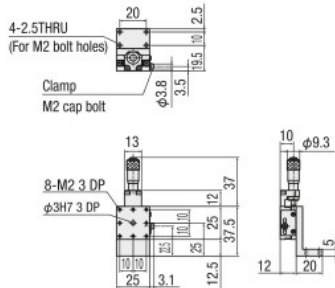
Dimensional outline drawings

The center hole tolerance H8 for BSB.

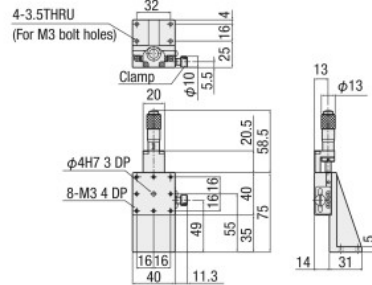


CAD 3D·2D

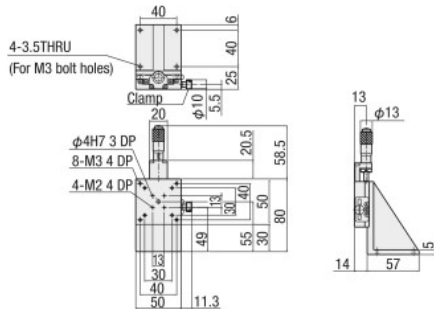
BSS36-25A/BSB36-25A



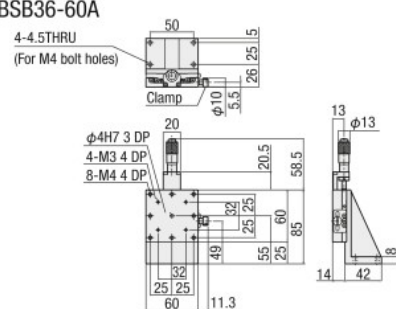
BSS36-40A/BSB36-40A



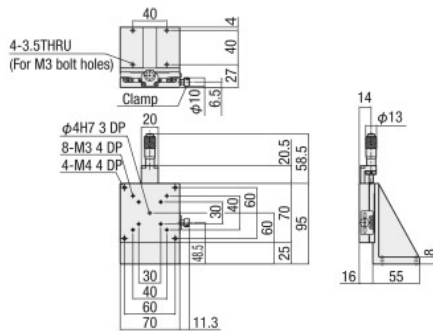
BSS36-50A



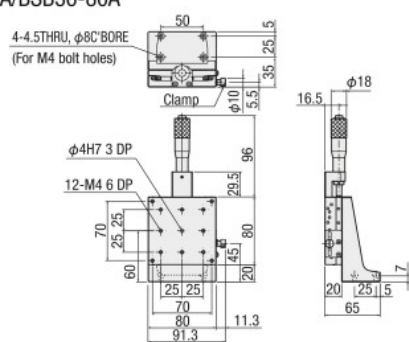
BSS36-60A/BSB36-60A



BSS36-70A



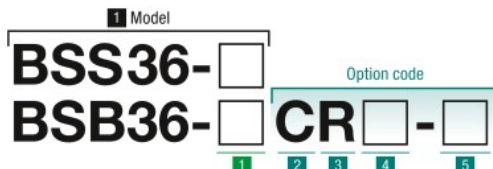
BSS36-80A/BSB36-80A



Configuration

Model	BSS (BSB) 36-25A	25C	25CU	Reference page	40A	40C	40CU	Reference page	50A	50C	50CU	Reference page	60A	60C	60CU	Reference page	70A	70C	70CU	Reference page	80A	80C	80CU	Reference page
X	BSS (BSB) 16-25AZ	25C	25CZ	P.2-017~	40AZ	40C	40CZ	P.2-019~	50AZ	50C	50CZ	P.2-021~	60AZ	60C	60CZ	P.2-023~	70AZ	70C	70CZ	P.2-025~	80AZ	80C	80CZ	P.2-027~
Bracket	BSS	ASS25Z-1	P.2-180	P.2-180	ASS40Z-1	P.2-180	P.2-180	P.2-180	ASS50Z-1	P.2-180	P.2-180	P.2-180	ASS60Z-1	P.2-181	P.2-181	P.2-181	ASS70Z-1	P.2-181	P.2-181	P.2-181	ASS80Z-1	P.2-181	P.2-181	P.2-181
	BSB	ASB25Z-1	P.2-180	P.2-180	ASB40Z-1	P.2-180	P.2-180	P.2-180	ASB50Z-1	P.2-180	P.2-180	P.2-180	ASB60Z-1	P.2-181	P.2-181	P.2-181	ASB70Z-1	P.2-181	P.2-181	P.2-181	A47-6	P.2-181	P.2-181	P.2-181

※ The end of CU is available for only BSS.  
 ※ BSB is only for 25 · 40 · 60 · 80.



Select the option code as below.

A color of the parts may be silver due to the option model.

5 Grease specification

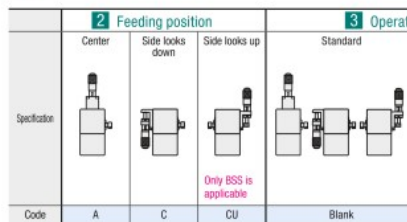
Standard grease	Clean environment grease AFF	Grease for the vacuum FOMBLIN
Blank	J	L

1 Stage table size

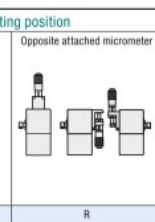
Model	Travel distance (mm)	Load capacity	Travel accuracy (Within)	Allowable load for moment (N·m)	Moment rigidity (" / N · cm)
25*	25×25mm	1.0kgf [9.8N]	3µm	30"	25"
40*	40×40mm	5.0kgf [49N]	1µm	25"	15"
50	50×50mm				
60*	60×60mm				
70	70×70mm				
80*	80×80mm				

※ BSB is only for \*.

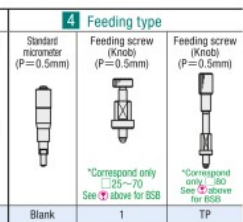
2 Feeding position



3 Operating position



4 Feeding type



SPEC \* Minimum reading of micrometer 10µm/Scale · Main material: Stainless · Surface finishing: BSS (Electroless nickel plating) BSB (Low temperature black chrome plating)

Model	Travel distance (mm)	Load capacity	Travel accuracy (Within)			Allowable load for moment (N·m)			Moment rigidity (" / N · cm)			Verticality (Within)	Motion verticality (Within)	Weight (kg)	Provided screws (Hex socket screws)	
			Straightness	Pitching	Yawing	Pitch	Yaw	Roll	Pitch	Yaw	Roll					
BSS36-	25*	±3.2	1.0kgf [9.8N]	3µm	30"	25"	2.0	2.0	3.5	1.90	1.10	1.10	50µm	15µm	0.23	4 of M2 - 8
	40*	±6.5	5.0kgf [49N]	1µm	25"	15"	5.0	5.0	5.0	0.42	0.35	0.21	65µm	25µm	0.32	4 of M3 - 10
	50						6.8	6.8	6.0	0.15	0.14	0.09			0.44	
	60*						10.0	10.0	9.0	0.08	0.08	0.05			0.58	4 of M4 - 12
70	13.8						13.8	12.9	0.06	0.05	0.03	0.84			4 of M3 - 12	
80*	±12.5			3µm			18.2	18.2	17.7	0.04	0.04	0.02	70µm	30µm	1.20	4 of M4 - 12

X  
XY  
Z

Horizontal Z

XZ

Horizontal XZ

XYZ

Horizontal XYZ

Goniometer

Rotary

Unit

Accessories

Linear Ball

Cross Roller

Dovetail

25  
30  
40  
50  
60  
70  
80  
100  
120  
Other