

Electrostatic Sensor Monitor

IZE11 Series



How to Order

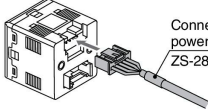


IZE11 0

Input/Output specifications

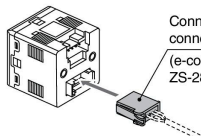
0	NPN open collector 2 outputs + Analog output 1-5 V
1	NPN open collector 2 outputs + Analog output 4-20 mA
2	PNP open collector 2 outputs + Analog output 1-5 V
3	PNP open collector 2 outputs + Analog output 4-20 mA

Option 1

Nil	None
L	Connector cable for power supply/output  Connector cable for power supply/output ZS-28-A

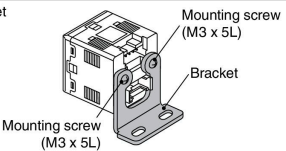
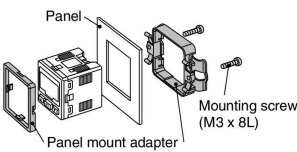
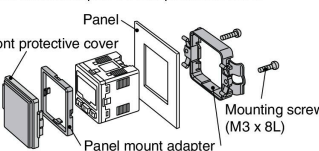
Note) The cable is not connected but packed together with product for shipment.

Option 3

Nil	None
C	With connector for sensor connection  Connector for sensor connection (e-con connector) ZS-28-C

Note) The connector is not connected but packed together with product for shipment.

Option 2

Nil	None
A	Bracket  Mounting screw (M3 x 5L) Bracket
B	Panel mount adapter  Panel Panel mount adapter Mounting screw (M3 x 8L)
D	Panel mount adapter + Front protective cover  Panel Front protective cover Panel mount adapter Mounting screw (M3 x 8L)

Note) The options are not attached but packed together with product for shipment.

Options/Part No.

Description	Part no.	Note
Connector cable for power supply / output (2 m)	ZS-28-A	
Bracket	ZS-28-B	With M3 x 5L (2 pcs.)
Connector for sensor connection	ZS-28-C	1 pc.
Panel mount adapter	ZS-27-C	With M3 x 8L (2 pcs.)
Panel mount adapter + Front protective cover	ZS-27-D	With M3 x 8L (2 pcs.)