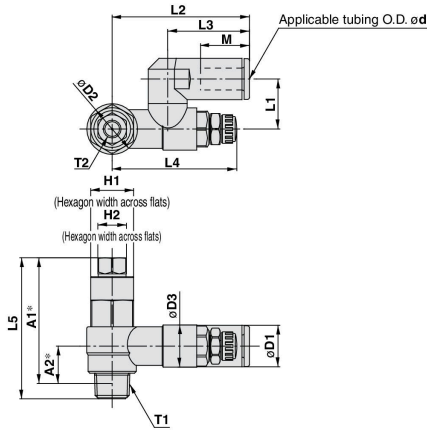


**Dimensions**

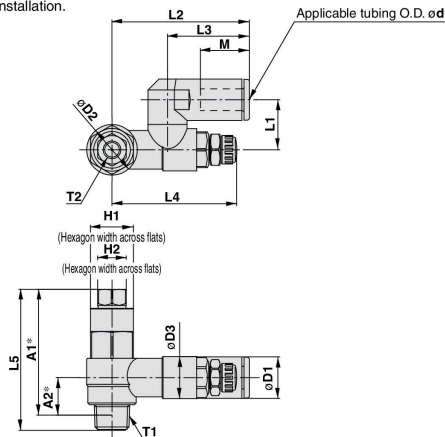


**Metric Size**

Model	d	T1	T2	H1	H2	D1	D2	D3	L1	L2	L3	L4 (1)		L5	A1 (2)	A2 (2)	M	Weight (g)	
												Max.	Min.						
ASP330F-01-06S	6	R 1/8	M5 x 0.8	12	8	11.6	14.2	11.8	14	38.4	22.9	39.6	34.6	38.6	35.2	10.5	13.7	32	
ASP330F-01-08S	8					15.2			15.8	44.7	28.2	38.9	33.9					18.7	35
ASP430F-02-06S	6	R 1/4	1/8	17	12	12.8	18.5	15	18	43.4	25.2	41.7	36.7	48.2	42.4	10.9	16.8	65	
ASP430F-02-08S	8					15.2			19.7	46.4	28.2							18.7	68
ASP530F-03-08S	8	R 3/8	1/8	19	12	15.2	23	19.8	20.3	51.3	28.2	46.9	41.9	55.1	50	14.4	18.7	107	
ASP530F-03-10S	10					18.5			23.1	54.1	32.6							20.8	110
ASP630F-04-10S	10	R 1/2	1/4	24	17	18.5	28.6	26.5	25.9	64.2	32.6	64.8	57.3	69.4	61.8	18.3	20.8	212	
ASP630F-04-12S	12					20.9			66	34.4							21.8	215	

Note 1) Reference dimensions

Note 2) Reference dimensions of R thread after installation.



**Inch Size**

Model	d	T1	T2	H1	H2	D1	D2	D3	L1	L2	L3	L4 (1)		L5	A1 (2)	A2 (2)	M	Weight (g)	
												Max.	Min.						
ASP330F-N01-07S	1/4"	NPT 1/8	10-32 UNF	1/2"	8	13.2	14.2	11.8	15.8	42.2	25.6	38.9	33.9	38.6	35.1	10.5	17	35	
ASP330F-N01-09S	5/16"					15.2				44.7	28.2							18.7	
ASP430F-N02-07S	1/4"	NPT 1/4	NPT 1/8	11/16"	1/2"	13.2	18.5	15	18	43.9	25.6	41.7	36.7	48.2	42.6	10.9	17	68	
ASP430F-N02-09S	5/16"					15.2				46.4	28.2							18.7	
ASP530F-N03-09S	5/16"	NPT 3/8	NPT 1/8	19	1/2"	15.2	23	19.8	20.3	51.3	28.2	46.9	41.9	55.1	50.3	14.4	18.7	107	
ASP530F-N03-11S	3/8"					18.5			23.1	54.1	32.6							20.8	116
ASP630F-N04-11S	3/8"	NPT 1/2	NPT 1/4	15/16"	11/16"	18.5	28.6	26.5	25.9	64.2	32.6	64.8	57.3	69.4	61.8	18.3	20.8	220	
ASP630F-N04-13S	1/2"					21.7			26.5	66.3	34.7						21.8	230	

Note 1) Reference dimensions

Note 2) Reference dimensions of NPT thread after installation.

- AS-F
- TMH
- ASD
- AS
- AS-FE
- KE
- AS-FG
- AS-FP
- AS-FM
- AS-D
- AS-T
- ASP
- ASN
- AQ
- ASV
- AK
- VCHC
- ASR
- ASQ