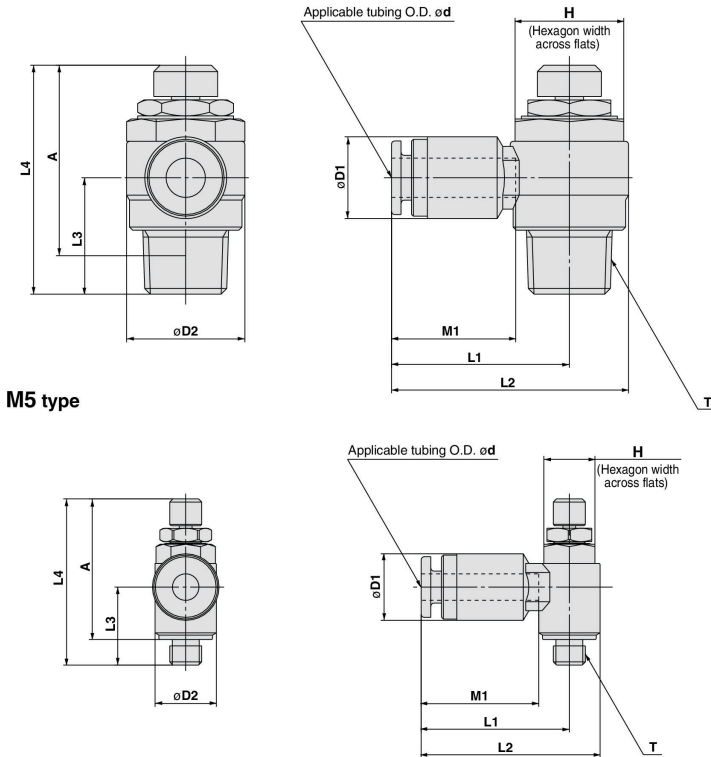


# AS-FPQ/FPG Series

## Dimensions



M5 type

Model	Tubing O.D. d	T	H	D1	D2	L1	L2	L3 (4)	L4 (1) (4)		A (2)		M1	Weight (g) (3)						
									Max.	Min.	Max.	Min.		1*	2*					
AS12□1FP□-M5-04	4	M5 x 0.8	8	10.4	9.6	22.2	27	12.2	28.8	26	25.2	22.4	17	7	7					
AS12□1FP□-M5-06	6			12.8		23.2	28						(12.2)	(28.8)	(26)	18.5	8	8		
AS22□1FP□-01-04	4			10.4		24.3	31.4						13.4	35.5	30.5	32.4	27.4	17	17	17
AS22□1FP□-01-06	6	12.8	25.3	32.4	(14.3)	(36.4)	(31.4)	18.5	18	18										
AS22□1FP□-01-08	8	15.2	27.5	34.6	20.5	20	20													
AS22□1FP□-02-04	4	R 1/8	12	10.4	14.2	26.8	36	17.7	40.3	35.3	34.8	29.4	17	33	33					
AS22□1FP□-02-06	6			12.8		26.8	36						(18.2)	(40.8)	(35.8)	18.5	18	18		
AS22□1FP□-02-08	8			15.2		29.4	38.6						20.5	35	35					
AS22□1FP□-02-10	10	18.5	37.3	46.5	18.3 (18.8)	23	38	38												
AS32□1FP□-03-06	6	R 1/4	17	12.8	18.5	29.4	40.9	17.7	40.3	35.3	34.8	29.4	18.5	59	55					
AS32□1FP□-03-08	8			15.2		31.9	43.4						19.8	45.8	40.8	40.6	35.6	20.5	61	57
AS32□1FP□-03-10	10			18.5		33.6	45.1											(20.9)	(46.9)	(41.9)
AS32□1FP□-03-12	12	20.9	34.8	46.3	24	65	61													
AS42□1FP□-04-10	10	R 1/2	24	18.5	28.6	35.6	49.9	24.5	57.2	49.7	49.9	42.4	23	107	100					
AS42□1FP□-04-12	12			21.7		38.2	52.5						(25.4)	(58.1)	(50.6)	24	109	102		

Note 1) Reference dimensions

Note 2) Reference dimension for threads after installation

Note 3) 1\* is the weight for type AS□□1FPQ (brass + electroless nickel plated), 2\* is the weight for type AS□□1FPG (Stainless steel 304).

Note 4) Dimensions of AS□□1FPQ, ( ) : AS□□1FPG