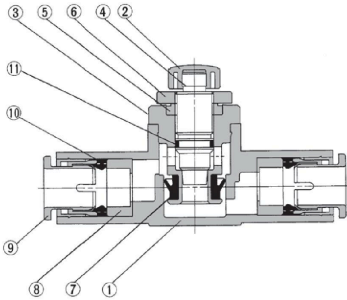


Speed Controller with One-touch Fitting Stainless Steel Series In-line Type **AS-FG Series**

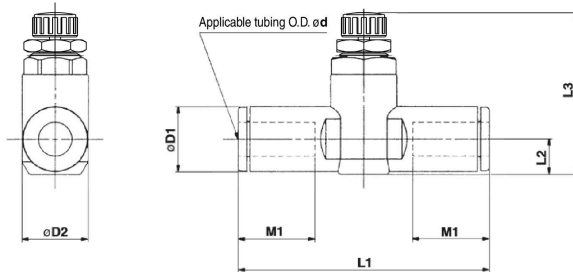
Construction



Component Parts

No.	Description	Material	Note
1	Body A	PBT	
2	Handle	PBT	
3	Body B	Stainless steel 303	
4	Needle	Stainless steel 303	
5	Needle guide	Stainless steel 303	
6	Lock nut	Stainless steel 303	
7	U seal	HNBR	
8	Spacer	—	
9	Cassette	—	
10	Seal	NBR	
11	O-ring	NBR	

Dimensions



Metric Size

Model	d	D1	D2	L1	L2	L3 ⁽¹⁾		M1	Weight (g)
						Max.	Min.		
AS1001FG-23	3.2	8.4	10.5	38	4.5	23.5	20.7	12.7	6
AS1001FG-04	4	9.3		39.2	5.2	24.2	21.4	7	7
AS1001FG-06	6	11.6	12.3	40.7	6.2	25.2	22.4	13.5	8
AS2001FG-04	4	9.3		40.7	5.2	32.6	27.6	12.7	12
AS2001FG-06	6	11.6	15.5	44.8	6.3	33.7	28.7	13.5	13
AS2051FG-06	6	12.8		53.2	6.7	35.2	30.2	17	22
AS2051FG-08	8	15.2	20.6	59.8	8.1	32.6	27.6	18	25
AS3001FG-06	6	12.8		59	7.4	38.3	33.3	17	36
AS3001FG-08	8	15.2	27.6	64.4	8.2	39.1	34.1	18	40
AS3001FG-10	10	18.5		71.6	9.8	40.6	35.6	21	44
AS3001FG-12	12	20.9	27.6	76	11	41.8	36.8	22	48
AS4001FG-10	10	18.5		77.7	11.3	51.1	43.6	21	85
AS4001FG-12	12	20.9		82.1		52.1	44.6	22	89

Note 1) Reference dimensions

Inch Size

Model	d	D1	D2	L1	L2	L3 ⁽¹⁾		M1	Weight (g)
						Max.	Min.		
AS1001FG-01	1/8"	8.4	10.5	38	4.5	23.5	20.7	12.7	6
AS1001FG-03	5/32"	9.3		39.2	5.2	24.2	21.4	7	7
AS1001FG-05	3/16"	11.4	12.3	48.7	6.2	25.2	22.4	13.5	12
AS1001FG-07	1/4"	12		40.7	5.2	32.6	27.6	12.7	12
AS2001FG-03	5/32"	9.3	15.5	40.7	5.2	32.6	27.6	12.7	12
AS2001FG-05	3/16"	11.4		50	6.2	33.6	28.6	16.5	18
AS2001FG-07	1/4"	13.2	20.6	52.2	7.1	34.5	29.5	17	16
AS2051FG-05	3/16"	11.4		52.2	6.2	34.6	29.6	16.5	24
AS2051FG-07	1/4"	13.2	27.6	54.4	7.1	35.5	30.5	17	22
AS2051FG-09	5/16"	15.2		59.8	8.1	32.6	27.6	18	25
AS3001FG-07	1/4"	13.2	27.6	59	7.4	38.3	33.3	17	36
AS3001FG-09	5/16"	15.2		64.4	8.2	39.1	34.1	18	40
AS3001FG-11	3/8"	17.9	27.6	70.8	9.5	40.3	35.3	21	52
AS4001FG-11	3/8"	17.9		76.9	10.3	51	43.5	21	93
AS4001FG-13	1/2"	21.7		83.1	11.6	52.4	44.9	22	106

Note 1) Reference dimensions