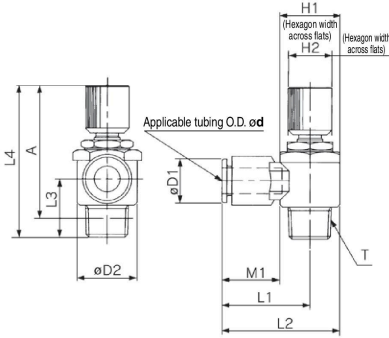


Speed Controller with Residual Pressure Release Valve with One-touch Fitting **AS□□□□FE Series**

Dimensions

Elbow type



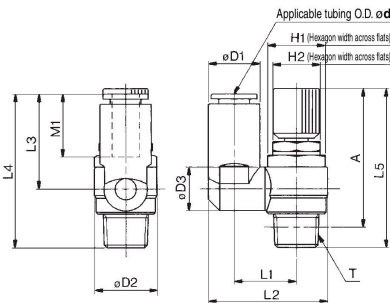
Model	Applicable tubing O.D. ød	T	H1	H2	D1	D2	L1	L2	L3	L4 (1)		A (2)		M1	Weight (g)
										Max.	Min.	Max.	Min.		
AS22□1FE-01-04SK	4				9.3		20.4	27.5						12.7	26
AS22□1FE-01-06SK	6	R 1/8	12	12	11.6	14.2	20.4	27.5	13.4	53	48	49.9	44.9	13.5	27
AS22□1FE-01-08SK	8				15.2		25.3	32.4						18.5	29
AS22□1FE-01-10SK	10				18.5		33.1	40.2	14.1					21	31
AS22□1FE-02-04SK	4				10.4		25.2	34.4						16	36
AS22□1FE-02-06SK	6	R 1/4	17	14	12.8	18.5	25.2	34.4	17.7	51.7	46.7	46.2	41.2	17	37
AS22□1FE-02-08SK	8				15.2		27.2	36.4						18.5	39
AS22□1FE-02-10SK	10				18.5		35.3	44.5	18.8					21	42
AS32□1FE-03-06SK	6				12.8		27.8	39.3						17	57
AS32□1FE-03-08SK	8	R 3/8	19	14	15.2	23	29.5	41	19.8	56.7	51.7	51.5	46.5	18.5	60
AS32□1FE-03-10SK	10				18.5		31.8	43.3						21	62
AS32□1FE-03-12SK	12				20.9		32.8	44.3						22	64
AS42□1FE-04-10SK	10				18.5		33.6	47.9						21	103
AS42□1FE-04-12SK	12	R 1/2	24	17	20.9	28.6	35.2	49.5	24.5	63.8	58.8	56.5	51.5	22	105

Note 1) Reference dimensions

Note 2) Reference dimensions of R thread after installation.

Dimensions

Universal type



Model	Applicable tubing O.D. ød	T	H1	H2	D1	D2	D3	L1	L2	L3	L4	L5 (1)		A (2)		M1	Weight (g)
												Max.	Min.	Max.	Min.		
AS23□1FE-01-04SK	4				9.3		9.3	13.1	24.9	17.5	30.9					12.7	26
AS23□1FE-01-06SK	6	R 1/8	12	12	11.6	14.2	10.9	14	26.9	22.9	36.3	53	48	49.9	44.9	13.5	27
AS23□1FE-01-08SK	8				15.2		12.9	16.2	30.9	28.2	40.8					18.5	29
AS23□1FE-02-04SK	4				10.4		10.9	16.2	30.6	21.9	39.6					16	36
AS23□1FE-02-06SK	6	R 1/4	14	14	12.8	18.5	18.4	34	25.2	42.1	51.7	46.7	46.2	41.2	17	37	
AS23□1FE-02-08SK	8				15.2		12.9	18.3	35.2	28.2	45.1					18.5	39
AS23□1FE-02-10SK	10				18.5			20.2	38.7	31	47.9					21	42
AS33□1FE-03-06SK	6				12.8		12.9	20.6	38.5	25.2	45					17	57
AS33□1FE-03-08SK	8	R 3/8	19	14	15.2	23		39.7	28.2	48	56.7	51.7	51.5	46.5	18.5	60	
AS33□1FE-03-10SK	10				18.5		16.2	23	43.7	32.6	52.4				21	62	
AS33□1FE-03-12SK	12				20.9			44.9	34.4	54.2					22	64	
AS43□1FE-04-10SK	10				18.5		16.2	25.8	49.4	32.6	57.1				21	103	
AS43□1FE-04-12SK	12	R 1/2	24	17	21.7	28.6	19.4	26.8	52	36.3	60.8	63.8	58.8	56.5	51.5	22	105

Note 1) Reference dimensions

Note 2) Reference dimensions of R thread after installation.

AS-F

TMH

ASD

AS

AS-FE

KE

AS-FG

AS-FP

AS-FM

AS-D

AS-T

ASP

ASN

AQ

ASV

AK

VCHC

ASR

ASQ