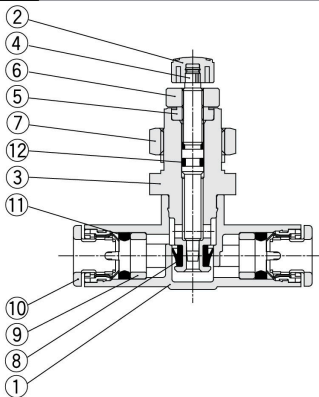


Speed Controller with One-touch Fittings In-line Type/Panel Mount Type **AS□□□1F-3 Series**

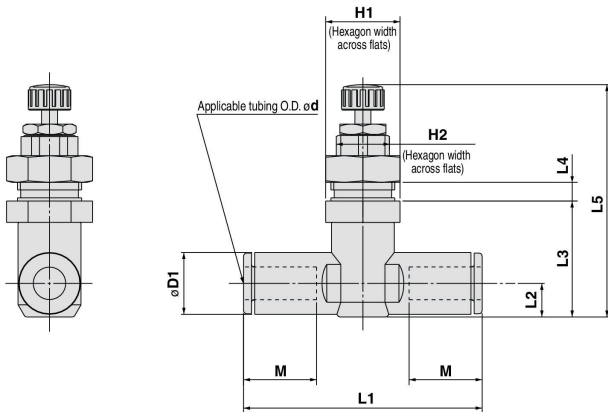
Construction



No.	Description	Material	Note
1	Body A	PBT	
2	Handle	PBT	
3	Body B	Brass	Electroless nickel plated
4	Needle	Brass	Electroless nickel plated
5	Needle guide	Brass	Electroless nickel plated
6	Lock nut	Steel ⁽¹⁾	Zinc chromated
7	Panel nut	Brass	Electroless nickel plated
8	U seal	HNBR	
9	Spacer	—	
10	Cassette	—	
11	Packing	NBR	
12	O-ring	NBR	

Note 1) Option: The round lock nut is made of electroless nickel plated brass.

Dimensions



Metric Size

Model	d	D1	H1	H2	L1	L2	L3	L4		L5 ⁽¹⁾		M	Panel-cut dimensions	Weight (g)
								Max.	Min.	Max.	Min.			
AS1001F-23-3	3.2	8.4			38	4.5	16.8			37.6	34.4			18
AS1001F-04-3	4	9.3	12	8	39.2	5.2	17.4	3.5		38.2	35	12.7	10.5	19
AS1001F-06-3	6	11.6			40.7	6.2	18.5			39.3	36.1	13.5		20
AS2001F-04-3	4	9.3			40.7	5.2	20.7	3.5		48	42.5	12.7	12.5	28
AS2001F-06-3	6	11.6	14	10	44.8	6.3	21.8			49.1	43.6	13.5		29
AS2051F-06-3	6	12.8	17	13	53.2	6.7	25.7	3.5		53.5	48.1	17	15.5	49
AS2051F-08-3	8	15.2			59.8	8.1	27			54.8	49.4	18		54
AS3001F-06-3	6	12.8			59	7.4	31.3			60.1	54.7	17		85
AS3001F-08-3	8	15.2	21	16	64.4	8.2	32.1	3.5		60.9	55.5	18	18.5	88
AS3001F-10-3	10	18.5			71.6	9.8	33.7			62.5	57.1	21		99
AS3001F-12-3	12	20.9			76	11	34.9			63.7	58.3	22		100
AS4001F-10-3	10	18.5	27	21	77.7	11.3	35	3.5		69.3	61	21	24.5	167
AS4001F-12-3	12	20.9			82.1		36			70.3	62	22		171

Note 1) Reference dimensions

Inch Size

Model	d	D1	H1	H2	L1	L2	L3	L4		L5 ⁽¹⁾		M	Panel-cut dimensions	Weight (g)
								Max.	Min.	Max.	Min.			
AS1001F-01-3	1/8"	8.4			38	4.5	16.8			37.6	34.4			18
AS1001F-03-3	5/32"	9.3	12	8	39.2	5.2	17.4	3.5		38.2	35	12.7	10.5	19
AS1001F-05-3	3/16"	11.4			48.7	6.2	18.5			39.3	36.1	13.5		24
AS1001F-07-3	1/4"	12			40.7		22.5			48	42.5	12.7		21
AS2001F-03-3	5/32"	9.3			40.7	5.2	20.7	3.5		48	42.5	12.7		28
AS2001F-05-3	3/16"	11.4	14	10	50	6.2	21.6	3.5		48.9	43.4	16.5	12.5	34
AS2001F-07-3	1/4"	13.2			52.2	7.1	22.5			49.8	44.3	17		37
AS2051F-05-3	3/16"	11.4			52.2	6.2	25.2			53	47.6	16.5		47
AS2051F-07-3	1/4"	13.2	17	13	54.4	7.1	26	3.5		53.8	48.4	17	15.5	49
AS2051F-09-3	5/16"	15.2			59.8	8.1	27			54.8	49.4	18		54
AS3001F-07-3	1/4"	13.2			59	7.4	31.3			60.1	54.7	17		84
AS3001F-09-3	5/16"	15.2	21	16	64.4	8.2	32.1	3.5		60.9	55.5	18	18.5	88
AS3001F-11-3	3/8"	17.2			70.8	9.5	33.3			62.1	56.7	21		95
AS4001F-11-3	3/8"	17.9			76.9	10.3	34.9			69.2	60.9	21		175
AS4001F-13-3	1/2"	21.7	27	21	83.1	11.6	36.3	3.5		70.6	62.3	22	24.5	188

Note 1) Reference dimensions