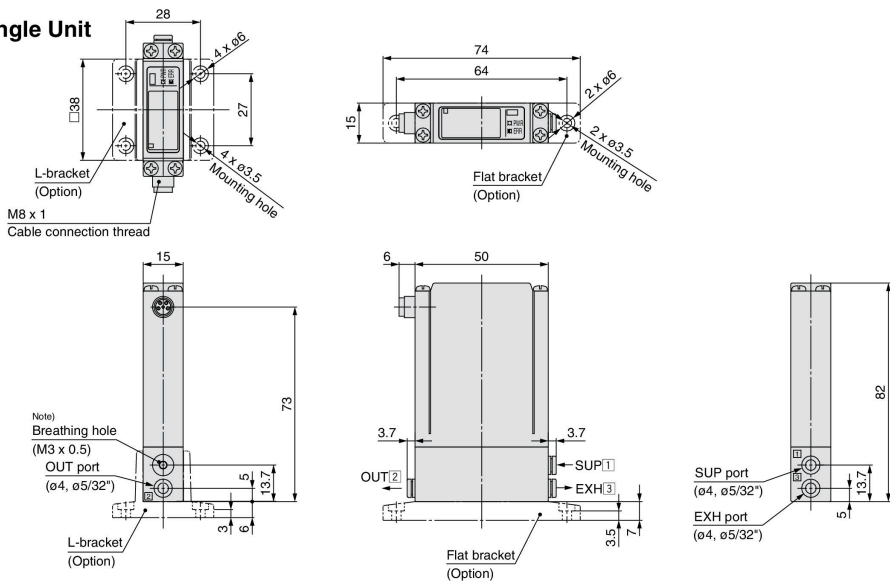


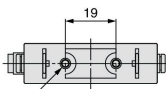
Dimensions

For Single Unit



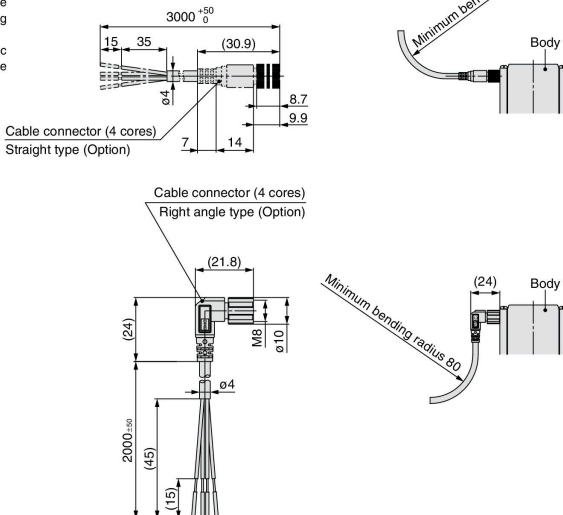
Port Location

No.	1	2	3
ITV003	SUP	OUT	EXH
5			



2 x M3 x 0.5 thread depth 3.5
Mounting thread

Note) When using under the conditions equivalent to IP65, connect the fittings or tube to the breathing hole prior to use.
(For details, refer to "Specific Product Precautions 1" on page 941.)



ARJ

AR425
to 935

ARX

AMR

ARM

ARP

IR□-A

IR

IRV

VEV

SRH

SRP

SRF

ITV

IC

ITVH

ITVX

PVQ

VY1

VBA

VBAT

AP100