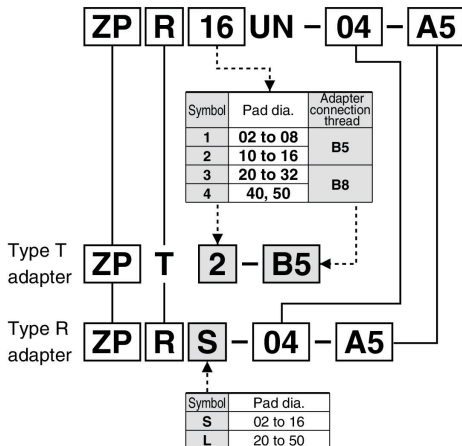


Replacement Parts: ZPR Series Adapter

● Without buffer

— The same symbol
 ◀---- Replacement of the symbol

[Pad model no.]



Applicable pad diameter: $\phi 2$ to $\phi 8$

2 x 4, 3.5 x 7, 4 x 10

$\phi 10$ to $\phi 16$ (Thin section series)

Model	① Pad	② Lock ring	③ Type T adapter	④ Type R adapter
ZPR▲▲□***-◇◇-A5	ZP▲▲□**	—	ZPT1-B5	ZPRS-◇◇-A5
ZPR▲▲□***-◇◇-A6				ZPRS-◇◇-A6
ZPR▲▲□***-◇◇-B4				ZPRS-◇◇-B4
ZPR▲▲□***-◇◇-B5				ZPRS-◇◇-B5

Note 1) Applicable pad diameter (▲▲): 02, 04, 06, 08, 10, 13, 16, 2004, 3507, 4010

Note 2) Applicable pad form (□): U, C, B, UT, CT

Note 3) Vacuum entry port (◇◇): 04, 06

Applicable pad diameter: $\phi 20$ to $\phi 32$

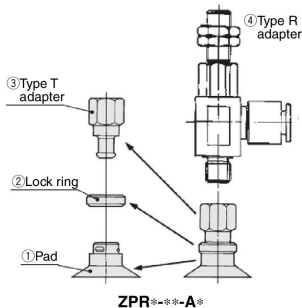
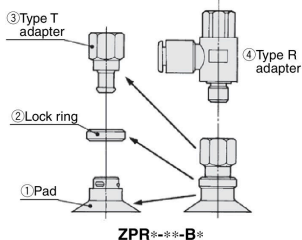
Model	① Pad	② Lock ring	③ Type T adapter	④ Type R adapter
ZPR▲▲□***-◇◇-A6	ZP▲▲□**X19	ZPL2	ZPT3-B8	ZPRL-◇◇-A6
ZPR▲▲□***-◇◇-A8				ZPRL-◇◇-A8
ZPR▲▲□***-◇◇-B5				ZPRL-◇◇-B5
ZPR▲▲□***-◇◇-B6				ZPRL-◇◇-B6
ZPR▲▲□***-◇◇-B8				ZPRL-◇◇-B8

Note 1) Applicable pad diameter (▲▲): 20, 25, 32

Note 2) Applicable pad form (□): U, C, D, B

Note 3) Vacuum entry port (◇◇): 04, 06, 08

Construction



Applicable pad diameter: $\phi 10$ to $\phi 16$

Model	① Pad	② Lock ring	③ Type T adapter	④ Type R adapter
ZPR▲▲□***-◇◇-A5	ZP▲▲□**X19	ZPL1	ZPT2-B5	ZPRS-◇◇-A5
ZPR▲▲□***-◇◇-A6				ZPRS-◇◇-A6
ZPR▲▲□***-◇◇-B5				ZPRS-◇◇-B5
ZPR▲▲□***-◇◇-B6				ZPRS-◇◇-B6

Note 1) Applicable pad diameter (▲▲): 10, 13, 16

Note 2) Applicable pad form (□): U, C, D, B

Note 3) Vacuum entry port (◇◇): 04, 06

Applicable pad diameter: $\phi 40, \phi 50$

Model	① Pad	② Lock ring	③ Type T adapter	④ Type R adapter
ZPR▲▲□***-◇◇-A6	ZP▲▲□**X19	ZPL3	ZPT4-B8	ZPRL-◇◇-A6
ZPR▲▲□***-◇◇-A8				ZPRL-◇◇-A8
ZPR▲▲□***-◇◇-B6				ZPRL-◇◇-B6
ZPR▲▲□***-◇◇-B8				ZPRL-◇◇-B8

Note 1) Applicable pad diameter (▲▲): 40, 50

Note 2) Applicable pad form (□): U, C, D, B

Note 3) Vacuum entry port (◇◇): 06, 08