



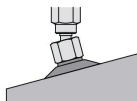
Heavy-duty Ball Joint Pad

Symbol/Type

H: Heavy-duty
(Flat with rib)

Pad diameter $\varnothing 40, \varnothing 50, \varnothing 63, \varnothing 80, \varnothing 100, \varnothing 125$

■ For adsorption of work pieces with inclined surface



Replacement Part No.

Model	Pad unit part no.	Adapter assembly part no.	
ZP2-TF40H <input type="checkbox"/>	ZP40H <input type="checkbox"/>	ZP2A-TF1	With three M3 bolts
ZP2-TF50H <input type="checkbox"/>	ZP50H <input type="checkbox"/>		
ZP2-TF63H <input type="checkbox"/>	ZP63H <input type="checkbox"/>		
ZP2-TF80H <input type="checkbox"/>	ZP80H <input type="checkbox"/>	ZP2A-TF2	With four M4 bolts
ZP2-TF100H <input type="checkbox"/>	ZP100H <input type="checkbox"/>		
ZP2-TF125H <input type="checkbox"/>	ZP125H <input type="checkbox"/>	ZP2A-TF3	With four M5 bolts

Note) in the table indicates the pad material.

How to Order

With adapter **ZP2-T F 40 H N**

Vacuum inlet direction

Symbol Direction

T Vertical

Specification (mechanism)

Symbol Specification

F Ball joint

Pad diameter

Symbol Pad diameter

40	$\varnothing 40$
50	$\varnothing 50$
63	$\varnothing 63$
80	$\varnothing 80$
100	$\varnothing 100$
125	$\varnothing 125$

Pad type

Symbol	Type
H	Heavy-duty (Flat with rib)

Pad material ()

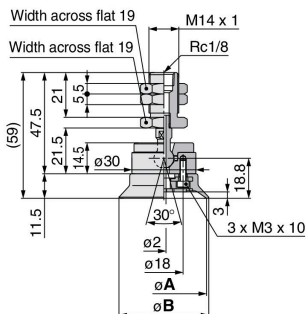
Symbol	Material
N	NBR
S	Silicone rubber
U	Urethane rubber
F	FKM
E	EPR



Vacuum inlet direction **Vertical**

Dimensions: With Adapter

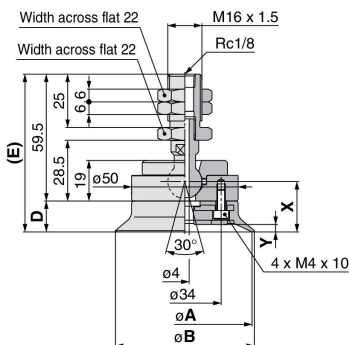
ZP2-TF⁴⁰₅₀H



Dimensions

Model	A	B
ZP2-TF40H <input type="checkbox"/>	40	42
ZP2-TF50H <input type="checkbox"/>	50	52

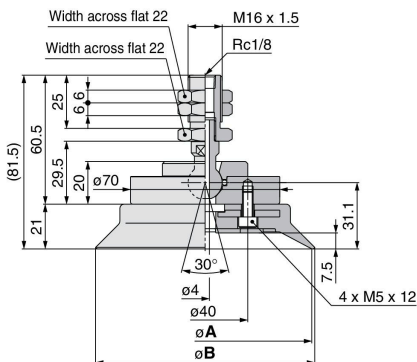
ZP2-TF⁶³₈₀H



Dimensions

Model	A	B	D	E	X	Y
ZP2-TF63H <input type="checkbox"/>	63	65	14.5	74	23.6	3.5
ZP2-TF80H <input type="checkbox"/>	80	82	16.5	76	25.6	4.5

ZP2-TF¹⁰⁰₁₂₅H



Dimensions

Model	A	B
ZP2-TF100H <input type="checkbox"/>	100	103
ZP2-TF125H <input type="checkbox"/>	125	128