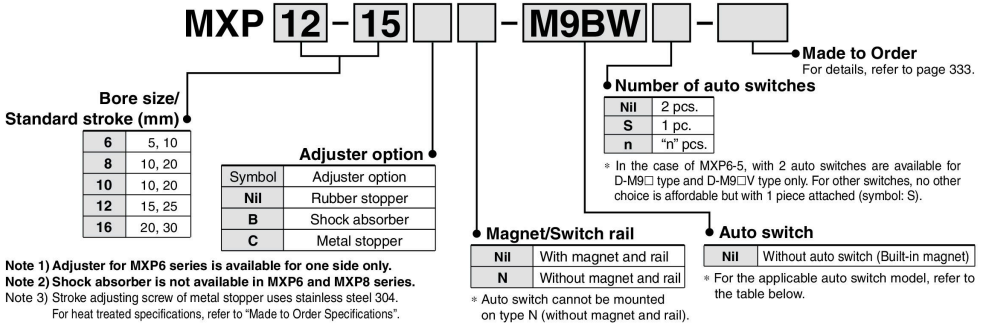


# Air Slide Table MXP Series

ø6, ø8, ø10, ø12, ø16



## How to Order



## Applicable Auto Switches

Refer to pages 1119 to 1245 for further information on auto switches.

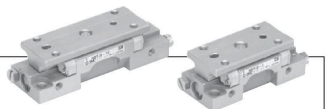
Type	Special function	Electrical entry	Indicator light	Wiring (Output)	Load voltage		Auto switch model		Lead wire length (m)					Pre-wired connector	Applicable load		
					DC	AC	Perpendicular	In-line	0.5 (Nil)	1 (M)	3 (L)	5 (Z)	IC circuit		Relay, PLC		
Solid state auto switch	Diagnostic indication (2-color indicator)	Grommet	Yes	3-wire (NPN)	24 V	5 V, 12 V	—	M9NV	M9N	●	●	●	○	○	IC circuit	Relay, PLC	
				3-wire (PNP)				M9PV	M9P	●	●	●	○	○			
				2-wire				M9BV	M9B	●	●	●	○	○			
				3-wire (NPN)				M9NWW	M9NWL	●	●	●	○	○			
	Water resistant (2-color indicator)			3-wire (PNP)	M9PWW	M9PWL	●	●	●	○	○	IC circuit					
				2-wire	M9BWW	M9BWL	●	●	●	○	○						
				3-wire (NPN)	M9NAV <sup>*1</sup>	M9NA <sup>*1</sup>	○	○	●	○	○		IC circuit				
				3-wire (PNP)	M9PAV <sup>*1</sup>	M9PA <sup>*1</sup>	○	○	●	○	○						
Reed auto switch	—	Grommet	No	3-wire (NPN equivalent)	24 V	12 V	—	A96V	A96	●	—	—	—	IC circuit	—		
				2-wire				A93V <sup>*2</sup>	A93	●	●	●	—			—	IC circuit
								A90V	A90	●	—	—	—			—	

\*1 Water resistant type auto switches can be mounted on the above models, but in such case SMC cannot guarantee water resistance.  
 \*2 1 m type lead wire is only applicable to D-A93.

\* Lead wire length symbols: 0.5 m..... Nil (Example) M9NW  
 1 m..... M (Example) M9NWM  
 3 m..... L (Example) M9NWL  
 5 m..... Z (Example) M9NWZ

\* Solid state auto switches marked with "○" are produced upon receipt of order.

\* Since there are other applicable auto switches than listed, refer to page 347 for details.  
 \* For details about auto switches with pre-wired connector, refer to pages 1192 and 1193.  
 \* Auto switches are shipped together (not assembled).



## MXPJ6/Air Slide Table ø6

### How to Order

**MXPJ6 - 10**

**Standard stroke**

5	5 mm
10	10 mm

\* MXPJ6 with auto switch is not available.

### Specifications

Bore size (mm)	6
Piping port size	M3 x 0.5
Fluid	Air
Action	Double acting
Operating pressure	0.15 to 0.7 MPa
Proof pressure	1.05 MPa
Ambient and fluid temperature	-10 to 60°C
Operating speed range (Average operating speed)	50 to 500 mm/s
Cushion	Rubber bumper
Lubrication	Non-lube
Stroke length tolerance	+1 0 mm

### Theoretical Output

(N)

Bore size (mm)	Piston area (mm <sup>2</sup> )	Operating pressure (MPa)					
		0.2	0.3	0.4	0.5	0.6	0.7
6	28	6	8	11	14	17	20

### Stroke

(mm)	
Model	Standard stroke
MXPJ6	5, 10

### Weight

(g)

Model	Body weight
MXPJ6-5	80
MXPJ6-10	105