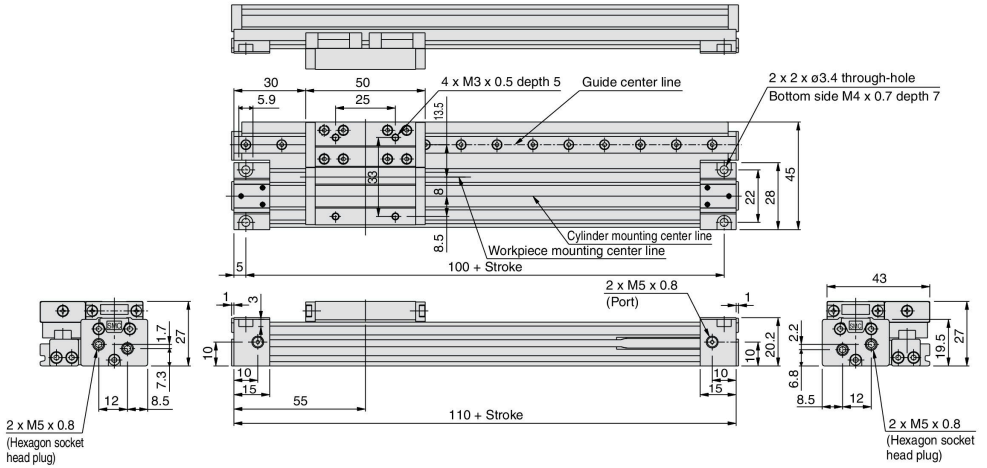


# MY1H Series

## Centralized Piping Type $\phi 10$

### MY1H10G — Stroke



### With shock absorber + Adjustment bolt

### MY1H10G — Stroke H

