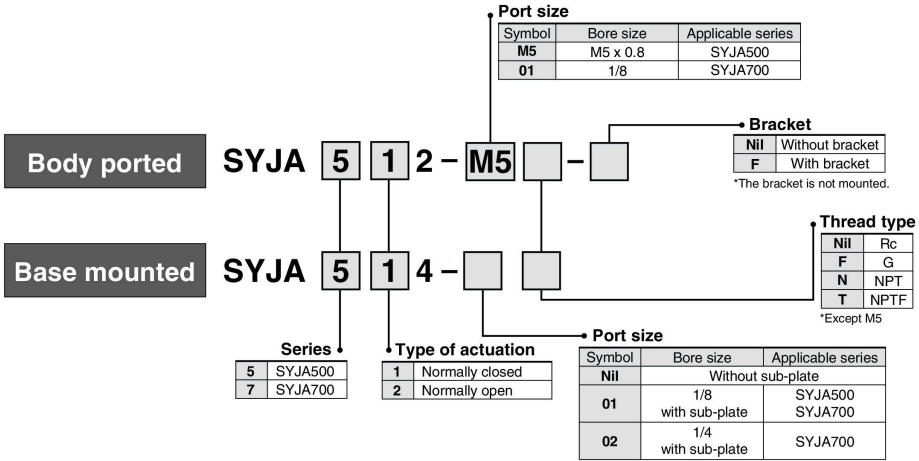


# 3 Port Air Operated Valve

# SYJA500/700 Series

## How to Order



- SYA
- SYJA
- VZA
- VFA
- VFRA
- VPA4
- SYJA**
- VZA
- VTA
- VGA
- VPA
- VPA3

## How to Order Manifold Base

Same manifolds as SYJ500/700 series are prepared.

(For SYJA500) **SS3YJA5** - Fill the same as SS3YJ5.

(For SYJA700) **SS3YJA7** - Fill the same as SS3YJ7.

\* Instruct by specifying the valves and blanking plate assembly to be mounted on the manifold along with the manifold base model no.

(Ex.) **SS3YJA5-40-03-01** ..... 1 set      (Ex.) **SS3YJA7-41-03-01** ..... 1 set  
 \* SYJA514 ..... 2 sets                      \* SYJA714 ..... 2 sets  
 \* SYJ500-10-3A ..... 1 set                   \* SYJ700-10-2A ..... 1 set

↳ The asterisk denotes the symbol for assembly. Prefix it to the part nos. of the solenoid valve, etc.