

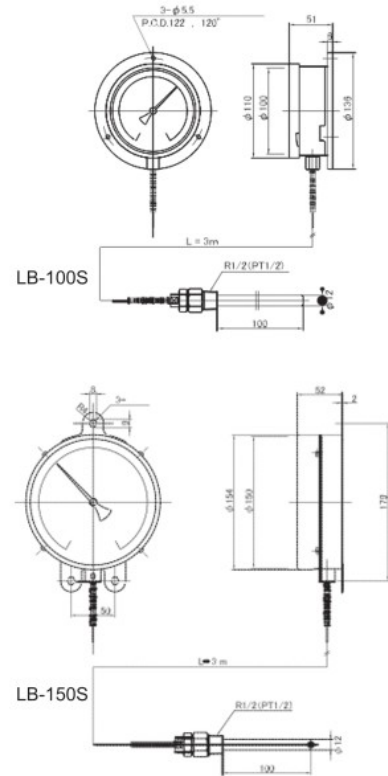
**REMOTE SENSING DIAL THERMOMETERS (WALL-MOUNT BOTTOM OUTLET)
MODEL LB-100S / LB-150S**



LB-100S



LB-150S



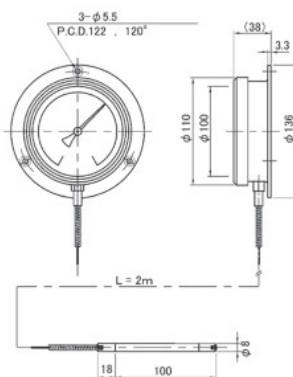
MUTUAL SPECIFICATIONS

Cat. No.	3000-L	3020-L
Model	LB-100S	LB-150S
Type	Wall-mount bottom outlet	
Sensing element	Liquid	
Dimensions	Case dia. 110 mm Dial dia. 100 mm	154 mm 150 mm
Material:	Case Window	SUS304 Glass
Sensing stem	Ø12 mm x 100 mm (L) Material: SUS304	
Screw	Material	PT1/2 SUS304
Lead wire	Length Material	3 m SUS304

Measuring range	LB-100S	LB-150S
-50 to 50°C (div. 2°C)	3000-55	3020-55
0 to 50°C (div. 1°C)	3000-05	3020-05
0 to 100°C (div. 1°C)	3000-01	3020-01
0 to 150°C (div. 2°C)	3000-15	3020-15
0 to 200°C (div. 5°C)	3000-20	3020-20
0 to 300°C (div. 5°C)	3000-30	—

Tell us the catalog number given above according to your desired measuring range when ordering.

**REMOTE SENSING DIAL THERMOMETER (WALL-MOUNT BOTTOM OUTLET)
MODEL VB-100P**



SPECIFICATIONS

Model	VB-100P
Measuring range	0 to 80°C (Cat. No. 4300-08) 0 to 100°C (Cat. No. 4300-01) 0 to 120°C (Cat. No. 4300-12)
Scale	Unequal division
Sensing element	Vapor
Case dia.	110 mm (Dial dia.: 100 mm)
Case construction	Splash-proof type
Materials	Case Window
Sensing stem	Plain connection w/o pipe thread Ø8 mm x 100 mm (L) Materials CuT. + Nickel plating
Lead wire	Length Materials
	2 m (but, 1 m for No. 4300-08) CuT. + Nickel plating