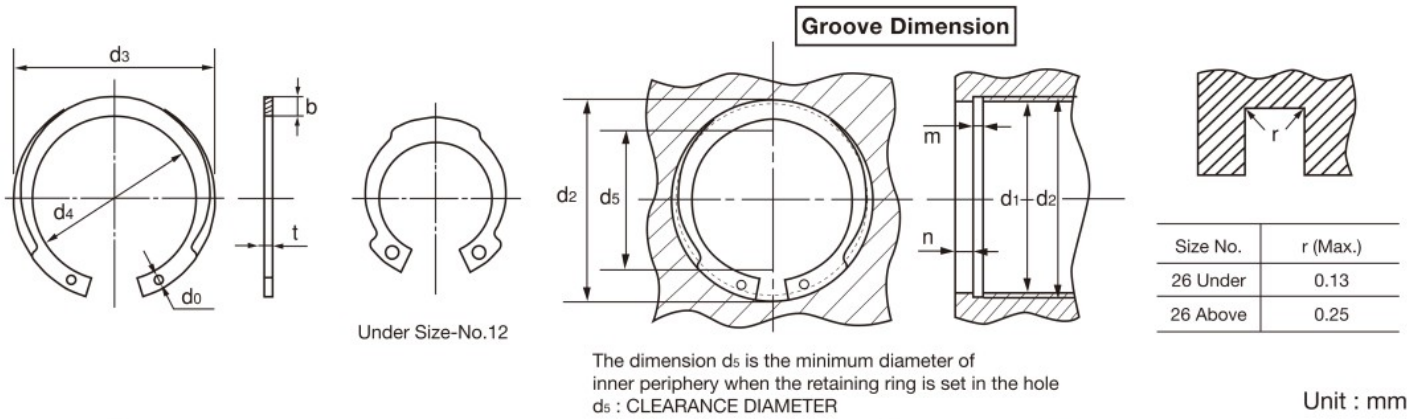


Inverted internal Ring



Size-No.	Ring dimension							Groove dimension							
	d3		Ref. d3	t		b	d0	Tol.	d5	d1	d2		m		n
	Basic	Tol.		Basic	Tol.						Basic	Tol.	Basic	Tol.	
IRTW- 10	11.1		7.7	1		1.7	0.9		5.9	10	10.4		1.15		1.5
11	12.2		8.6	1		1.8	0.9		6.6	11	11.4		1.15		1.5
12	13.3		9.7	1		1.8	0.9		7.6	12	12.5		1.15		1.5
13	14.1	±0.18	10.9	1		1.6	0.9		9	13	13.6	±0.11	1.15		1.5
14	15.1		11.7	1		1.7	0.9		9.8	14	14.6	0	1.15		1.5
15	16.2		12.6	1		1.8	0.9	±0.3	10.6	15	15.7		1.15		1.5
16	17.3		13.5	1	±0.05	1.9	0.9		11.4	16	16.8		1.15		1.5
17	18.3		14.3	1		2	0.9		12.2	17	17.8		1.15		1.5
18	19.5		15.3	1		2.1	1		13	18	19		1.15		1.5
19	20.5		16.1	1		2.2	1		13.8	19	20		1.15		1.5
20	21.5		16.9	1		2.3	1		14.5	20	21		1.15		1.5
21	22.5	±0.2	17.7	1		2.4	1.2		15	21	22	±0.21	1.15		1.5
22	23.5		18.7	1		2.4	1.2		16	22	23	0	1.15		1.5
24	25.9		20.7	1.2		2.6	1.2		17.5	24	25.2		1.35		1.8
25	26.9		21.5	1.2		2.7	1.2		18.5	25	26.2		1.35		1.8
26	27.9		22.3	1.2		2.8	1.2		19	26	27.2		1.35		1.8
28	30.1		24.1	1.2		3	1.2		20.5	28	29.4		1.35		2.1
30	32.1		25.7	1.2		3.2	1.4	±0.4	22.5	30	31.4		1.35		2.1
32	34.4		27.4	1.2	±0.06	3.5	1.6		23.5	32	33.7		1.35		2.55
34	36.5	±0.25	29.1	1.5		3.7	1.6		25	34	35.7		1.65		2.55
35	37.8		30	1.5		3.9	1.6		26	35	37		1.65	±0.14	3
36	38.8		30.8	1.5		4	1.6		26.5	36	38	±0.25	1.65	0	3
37	39.8		31.6	1.5		4.1	1.6		27.5	37	39	0	1.65		3
38	40.8		32.4	1.5		4.2	1.6		28	38	40		1.65		3
40	43.5		34.7	1.75		4.4	2		30	40	42.5		1.9		3.75
42	45.5	±0.4	36.3	1.75		4.6	2		31	42	44.5		1.9		3.75
45	48.5		38.9	1.75		4.8	2		33	45	47.5		1.9		3.75
47	50.5		40.7	1.75		4.9	2		35	47	49.5		1.9		3.75
48	51.5		41.5	1.75		5	2		36	48	50.5		1.9		3.75
50	54.2		44	2	±0.07	5.1	2.2		38	50	53		2.2		4.5
52	56.2		45.8	2		5.2	2.2		40	52	55		2.2		4.5
55	59.2		48	2		5.6	2.2	±0.5	42	55	58		2.2		4.5
56	60.2		48.8	2		5.7	2.5		43	56	59		2.2		4.5
58	62.2	±0.45	50.4	2		5.9	2.5		44	58	61	±0.3	2.2		4.5
60	64.2		52	2		6.1	2.5		46	60	63	0	2.2		4.5
62	66.2		53.6	2		6.3	2.8		47	62	65		2.2		4.5
65	69.2		55.8	2.5		6.7	3.2		49	65	68		2.7		4.5
68	72.5		58.5	2.5		7	3.2		52	68	71		2.7		4.5
72	76.5		61.7	2.5	±0.08	7.4	3.2		55	72	75		2.7		4.5
75	79.5		63.9	2.5		7.8	3.2		57	75	78		2.7		4.5
78	82.5		66.3	2.5		8.1	3.2		59	78	81		2.7		4.5
80	85.5		68.9	2.5		8.3	3.2	±0.7	61	80	83.5	±0.35	2.7		5.25
85	90.5	±0.55	72.7	3		8.9	4		64	85	88.5	0	3.2	±0.18	5.25
90	95.5		76.7	3	±0.09	9.4	4		68	90	93.5		3.2	0	5.25
100	105.5		84.5	3		10.5	4		76	100	103.5		3.2		5.25

Material = Carbon spring steel. Hardness = HRC 44~52 Finish = Phosphate coating (ACP)

Note

1. Size-Nos. IRTW-56 and over are available on a production by order basis.
2. Our products with little marketability may not be in stock. When employing our products, consult with us for their availability.