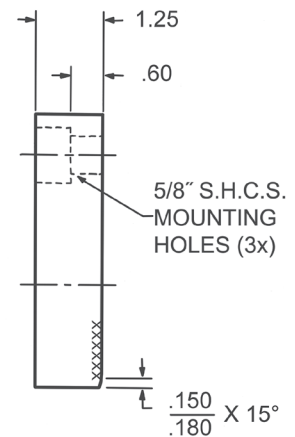
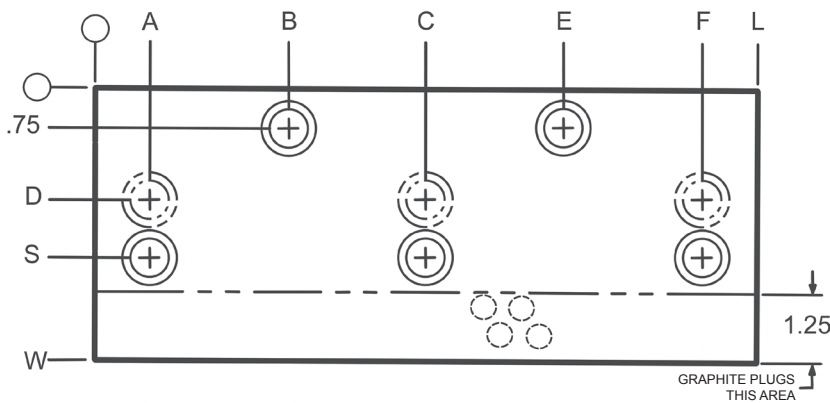


Self-Lubricating Keeper Plates – Inch



Product Features

These self-lubricating Keeper plates are 1-1/4 inch thick and are available in 4- and 5-inch widths and up to 12 inches in length. They are manufactured from hardened steel with oil-impregnated graphite plugs. The Keepers are available with or without mounting holes. The 5-inch width Keepers are also available in a double-sided mounting style.



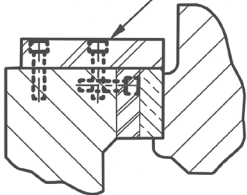
MATERIALS:

- ◆ High quality carburized steel with oil-impregnated graphite plugs. They are precision ground and hardened to Rc56-62.

MOUNTING SCREWS:

- ◆ Three 5/8" S.H.C.S. are recommended for mounting. Plate has 11/16" drill through 1" counterbore.

NOTE: CHECK ALL SCREW HOLE LOCATIONS. STAGGER KEEPER PLATE AND WEAR PLATES TO AVOID SCREW INTERFERENCE. IF NOT POSSIBLE, THEN SPECIFY AN UNDRILLED KEEPER PLATE (SUFFIX "N").



Width W (in)	Length L (in)	Part Number (w/mount'g holes)	Part Number (w/o mount'g holes)	Part Number (double sided)	S (in)	Mounting Hole Location					
						A (in)	B (in)	C (in)	D (in)	E (in)	F (in)
4.00	8.00	KPSG10408	KPSG10408N	KPSG10408D	2.12	1.50	4.00	–	–	–	6.50
	10.00	KPSG10410	KPSG10410N	KPSG10410D			3.25	5.00		6.75	8.50
	12.00	KPSG10412	KPSG10412N	KPSG10412D			3.75	6.00		8.25	10.50
5.00	8.00	KPSG10508	KPSG10508N	KPSG10508D	3.12	1.00	4.00	–	2.25	–	7.00
	10.00	KPSG10510	KPSG10510N	KPSG10510D			3.00	5.00		7.00	9.00
	12.00	KPSG10512	KPSG10512N	KPSG10512D			3.50	6.00		8.50	11.00