

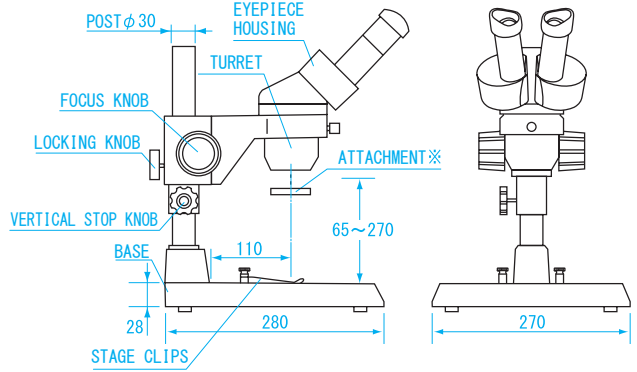


VARIABLE POWER STEREO MICROSCOPE



DIMENSIONS

Units : mm



* with optional lighting installed

FEATURES

- Ideal for continuous inspection of components of similar size
- Turret style zoom stereo microscope
- Optional lighting unit available

Order No.	Model No.	Magnification	Objective	Eye Piece	Working Distance	Focus Adjustment	Eye Width Adjustment	Eye Piece Inclination	Diopter Adjustment Range	Stand	Weight
140101	XT-2040	20× 40×	2× 4×	WF10× (FOV19mm)	105mm	Main body vert. position control	55~75mm	45°	±5 diopter	Pole stand	4.1kg

VARIABLE POWER TURRET STYLE MICROSCOPE

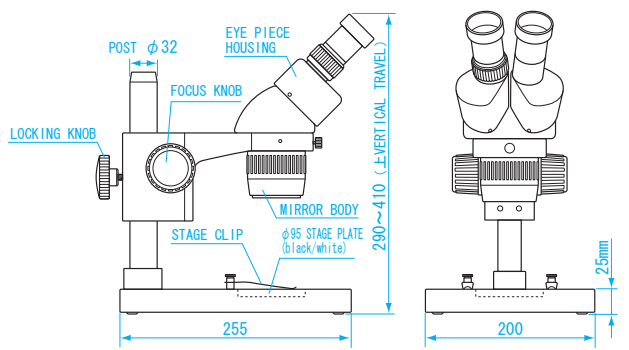


Two magnifications with switchable objective lens!



DIMENSIONS

Units : mm



USE • Ideal for continuous inspection of components of similar size

FEATURES

- Binocular turret type stereo microscope with switchable objective lens.
- With fluorescent ring epi-illuminator

Order No.	Model No.	Magnification	Objective	Eye Piece	Working Distance	Focus Adjustment	Eye Width Adjustment	Eye Piece Inclination	Diopter Adjustment Range	Stand	Lighting System	Weight
140007	XTDB-SP2N	10 × 30 ×	1 × 3 ×	WF10× (FOV 20mm)	100mm	Main body vert. position control	55~ 75mm	45°	±5 diopter	Pole Stand	Ring illuminator 17W	3.6kg