



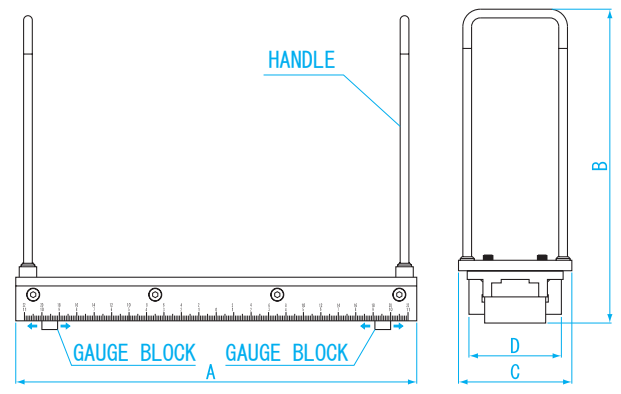
LEVELNIC BASE WITH ADJUSTABLE PITCH

By attaching Levelnic to this base, any desired measurement pitch can be set



LP-300

DIMENSIONS



USE • Setting a fixed pitch for straightness and flatness measurements

FEATURES

- Made of Carbon tool steel
- Applicable levelnic: DL-S2 • DL-S3 • DL-S3C • DL-S2W • EL-01A
- The base is graduated in mm and enables setting measurement pitch
- Measuring face consists of 2 pcs of 15mm Gauge block

Units : mm

Model No.	A	B	C	D
LP-200	230	180	65	55
LP-300	330	180	65	55

Order No.	Model No.	Measurement pitch range (mm)	Weight
010020	LP-200	50 ~ 200	1.8kg
010021	LP-300	50 ~ 300	2kg

CASE FOR LEVELNIC



Shock resistant aluminum case for Levelnic. Suitable for storage and carrying



LV-CS3



LV-CM1

FEATURES

- Carrying case for Levelnic (Levelnic is a precision instrument, we recommend that you use a carrying case)
- Body : Aluminum
- Inside : Urethane foam
- Applicable levelnic :
LV-CS3 : DL-S1 • DL-S2 • DL-S2W • DL-S3 • DL-S3C
LV-CM1 : DL-m1 • DL-m3
- Shock protection during transport

Order No.	Model No.	Dimensions (mm)	Weight
010025	LV-CS3	362 × 236 × 184	1.86kg
010026	LV-CM1	250 × 200 × 150	1.15kg