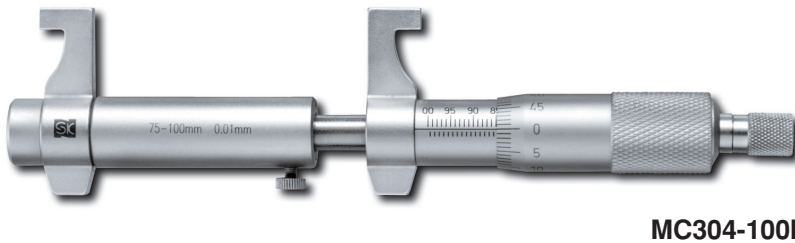
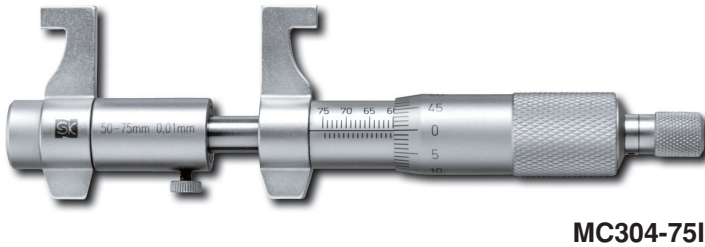
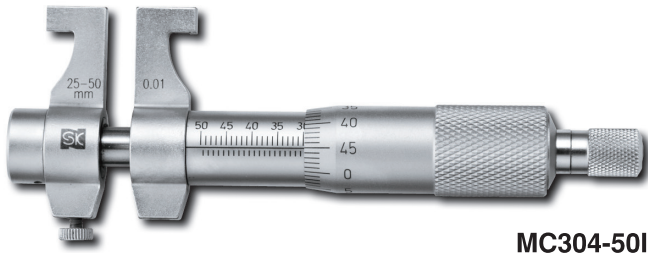
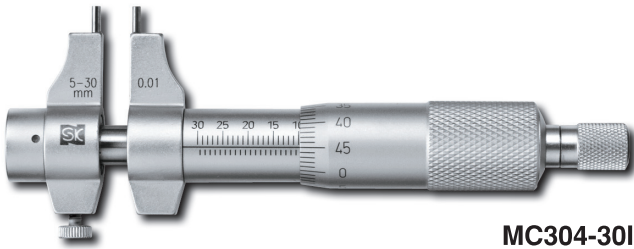
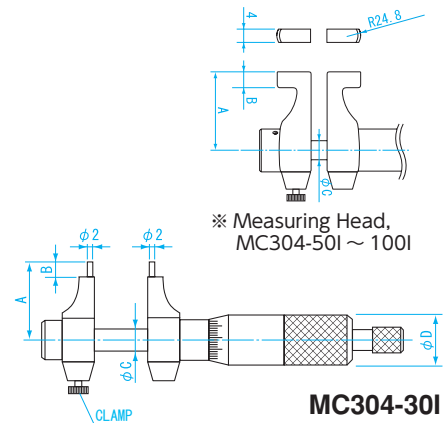


CALIPER TYPE INSIDE MICROMETERS

Provided with an SK ring gauge (Made in Japan) for zero-point setting! Ready to use immediately.



DIMENSIONS



Units: mm

Model No.	A	B	C	D
MC304-30I	28	5	8	18
MC304-50I	28	5	8	18
MC304-75I	28	5	8	18
MC304-100I	28	5	8	18

USE • For inside diameter measurement

MATERIAL
 • High carbon chrome steel

- FEATURES**
- Provided with a reference ring gauge
 - MC304-30I : ϕ 5
 - MC304-50I : ϕ 25
 - MC304-75I : ϕ 50
 - MC304-100I : ϕ 75
 - With ratchet stop
 - Carbide tipped measuring faces

Order No.	Model No.	Measuring Range (mm)	Resolution (mm)	Maximum Error (μ m)	Weight
151230	MC304-30I	5 ~ 30	0.01	5	140g
151231	MC304-50I	25 ~ 50	0.01	6	150g
NEW 151232	MC304-75I	50 ~ 75	0.01	7	160g
NEW 151233	MC304-100I	75 ~ 100	0.01	8	190g