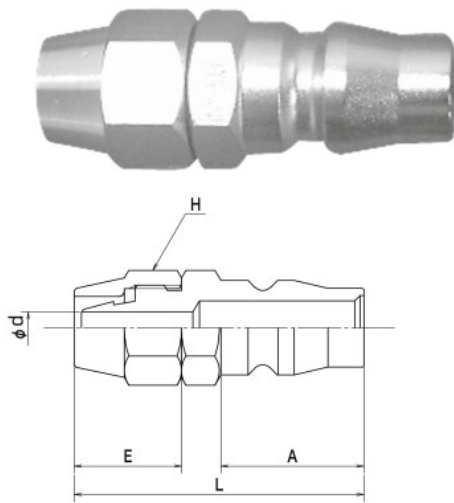
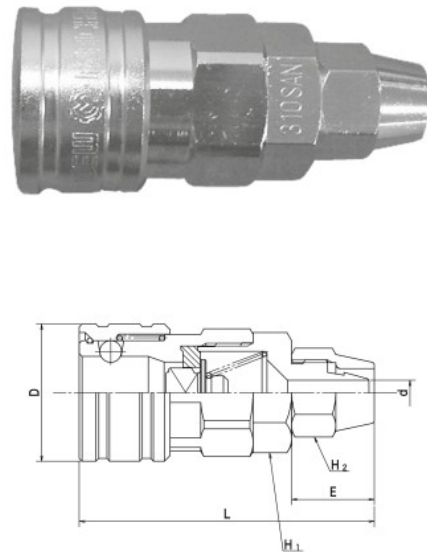


Product models & dimensions

Plug



Socket

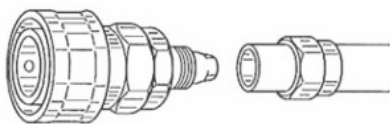


Model	L (MM)	A (MM)	d (MM)	E (MM)	H (MM)	W (MM)
310PAN	40.5	20	4.5	15	HEX. 14	30
320PAN	43	20	5	17	HEX. 17	39
330PAN	46	20	7	20	HEX. 19	54

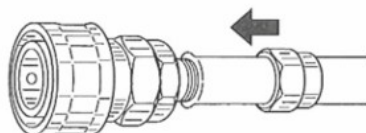
Model	L (MM)	D (MM)	H1 (MM)	E (MM)	H2 (MM)	d (MM)	W (MM)
310SAN	56.6	25	HEX. 19	15	HEX. 14	4.5	101
320SAN	58.5	25	HEX. 19	17	HEX. 17	5	110
330SAN	61.5	25	HEX. 19	20	HEX. 19	7	122

Urethane hose installation

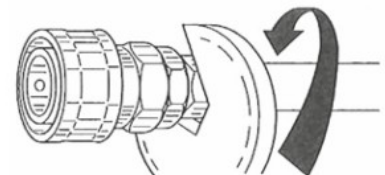
1. Insert nut in hose



2. Move nipple part to hose opening



3. Fasten nut using wrench. Hose connection is secured.



Ordering information

310 **SAN** - **N**

① ② ③

① Size

310	Ø5 x Ø8
320	Ø6.5 x Ø10
330	Ø8 x Ø12

② Type

SAN	Socket
PAN	Plug

③ Seal material

N	Nitrile butadiene rubber
V	Fluorine rubber