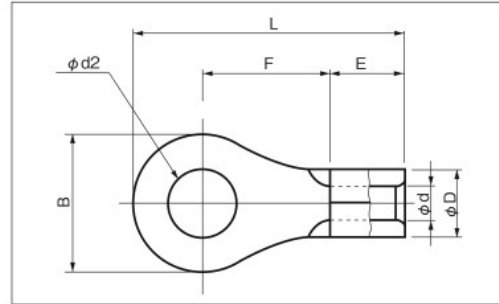
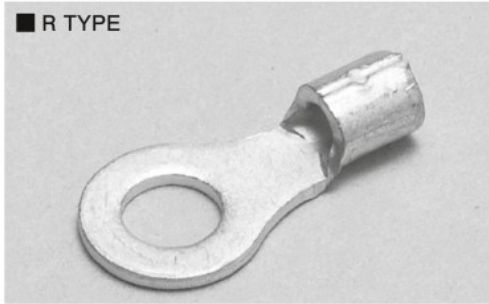


RING TERMINALS (R TYPE)

JIS C 2805

■ R TYPE



RoHS 10

See page 2

PART NUMBER	DIMENSIONS mm							WIRE RANGE			TOOL No.		STD QTY/BOX								
	φd2	B	L	F	E	φD	φd	SOLID mm	STRANDED mm ²	AWG	HAND TOOL No.	DIES No.									
R 0.3-2	○	2.2	5.2	12.0	4.9	4.5	2.2	1.0	-	0.2~0.5 0.3~0.5 UL·CSA USE	24-20 22-20 UL·CSA USE	NH 69		1,000 (100×10)							
R 0.3-3	○	3.2		12.0	4.9																
R 0.3-3N	○	3.2	14.3	7.2																	
R 0.3-3.5	○	3.7	15.0	7.2																	
R 0.3-4	○	4.3	15.5	7.0																	
R 0.3-5	○	5.3	8.0	15.5	7.0	4.5	2.5	1.4	-	0.3~0.75	22-18	NH 69		1,000 (100×10)							
R 0.75-3	○	3.2	5.6	12.0	4.7																
R 0.75-3.5	○	3.7	6.6	13.3	5.5																
R 0.75-4	○	4.3	6.6	13.3	5.5	4.5	3.4	1.7	0.57 1.44	0.25 1.65	22-16	NH 1 NH 69		1,000 (100×10)							
R 1.25-2	○	2.2	5.5	12.0	4.75																
R 1.25-2S	○	2.2	5.7	11.9	4.55																
R 1.25-3	●	3.2	5.5	12.0	4.75																
R 1.25-3N	○		5.6	14.9	7.6																
R 1.25-3S	○	3.2	5.7	11.9	4.55																
R 1.25-3.5N	○	3.7	5.6	14.9	7.6																
R 1.25-3.5S	○		5.7	11.9	4.55																
R 1.25-3.5	●		6.6	13.3	5.5																
R 1.25-3.5M	○	3.7	6.8	13.9	6.0																
R 1.25-3.5L	○		8.0	15.6	7.1																
R 1.25-4S	○	4.3	6.6	13.3	5.5																
R 1.25-4M	○		6.8	13.9	6.0																
R 1.25-4	●	4.3	8.0	15.6	7.1																
R 1.25-5	●		5.3	12.0	20.2							9.7									
R 1.25-6	○	6.4	12.0	20.2	9.7	4.5	4.2	2.3	1.14 1.82	1.04 2.63	16-14	NH 1 NH 9 NH 69		1,000 (100×10)							
R 1.25-8	○	8.4																			
R 1.25-10	○	10.5	16.5	25.0	12.25	4.5	4.2	2.3	1.14 1.82	1.04 2.63	16-14	NH 1 NH 9 NH 69		1,000 (100×10)							
R 2-2	○	2.2	6.5	12.7	4.95																
R 2-3N	○	3.2	5.6	14.9	7.6																
R 2-3S	○		5.7	12.3	4.95																
R 2-3	○	3.2	6.5	12.7	4.95																
R 2-3.5N	○	3.7	5.6	14.9	7.6																
R 2-3.5NS	○		6.5	12.7	4.95																
R 2-3.5	●		6.6	14.4	6.6																
R 2-3.5S	○	3.7	6.6	15.4	7.6																
R 2-3.5M	○		8.0	16.0	7.5																
R 2-4S	○	4.3	6.6	14.4	6.6																
R 2-4M	○		8.0	16.0	7.5																
R 2-4	●	4.3	8.5	16.5	7.75																
R 2-5M	○		8.0	16.0	7.5																
R 2-5	●	5.3	9.5	17.0	7.75																
R 2-5L	○		12.0	21.5	11.0																
R 2-6	●	6.4	12.0	21.5	11.0	4.5	4.2	2.3	1.14 1.82	1.04 2.63	16-14	NH 1 NH 9 NH 69		1,000 (100×10)							
R 2-8	●	8.4																			
R 2-10	○	10.5	15.0	24.5	12.5							4.5	4.2		2.3	1.14 1.82	1.04 2.63	16-14	NH 1 NH 9 NH 69		1,000 (100×10)
R 2-12	○	13.0	19.0	28.5	14.5																

NOTE 1) ● : JIS, UL, CSA ○ : UL, CSA

2) Refer to page 12 for UL/ CSA and proper strip length of wire.