

XSTS-C / XWSS-C

Cleanroom / Vacuum / Heat Resistant Coupling - Slit-type (SUS316L) - Clamping Type

WEB Selection Tool

WEB CAD Download

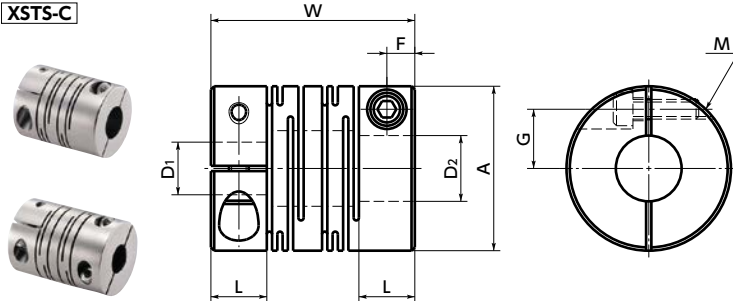
Zero Backlash

Cleanroom

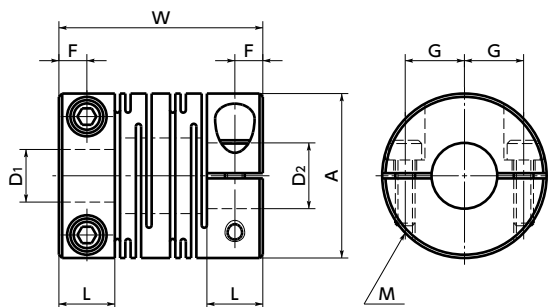
Chemical-proof

SUS Stainless steel

XSTS-C



Outside diameter $\phi 25, \phi 32$



Outside diameter $\phi 40 - \phi 63$

Dimensions

Unit : mm

Part Number	A	L	W	F	G	M	Screw Tightening Torque*1 (N·m)
XSTS-25C	25	8.5	31	4.25	9	M3	1.5
XSTS-32C	32	12	41	6	11	M4	2.5
XSTS-40C	40	17	56	8.5	14	M5	4
XSTS-50C	50	21	71	10.5	18	M6	8
XSTS-63C	63	26	90	13	24	M8	16
XWSS-25C	25	9.6	25	4.8	9	M3	1.5
XWSS-32C	32	12.6	32	6.3	11	M4	2.5

Part Number	Standard Bore Diameter																			
	D1	D2	5	6	8	10	11	12	14	15	16	18	19	20	22	24	25	28	30	
XSTS-25C	●	●			●	●														
XSTS-32C					●	●	●		●											
XSTS-40C					●	●	●	●	●	●	●	●								
XSTS-50C								●	●	●	●	●	●	●	●					
XSTS-63C									●	●	●	●	●	●	●	●	●	●	●	●
XWSS-25C	●	●	●	●																
XWSS-32C			●	●	●	●	●													

- All products are provided with hex socket head cap screw.
 - Recommended dimensional allowances of applicable shaft diameter are h6 and h7.
 - In case of mounting on D-cut shaft, be careful about the position of the D-cut surface of the shaft. → P.257
- *1 This is a screw tightening torque when inserting a degreased shaft.

Additional Keyway at Shaft Hole → P.788

Cleanroom Wash & Packaging → P.792

Change to Stainless Steel Screw → P.790

Please feel free to contact us

Cleanroom washed and packed

Changed to the S.S. screw