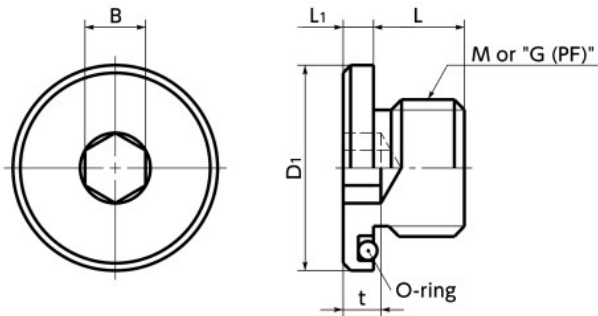


SFM/SFMS Hex Socket Flange Head Screw Plugs

SUS Stainless steel



- Because an O-ring is included, grooving is not required on the surface surrounding the female screw.
- Because this is a parallel thread, strain on the female screw like a tightened taper thread does not occur. It is suitable for hydraulic equipment/pneumatic devices that are often mounted and removed.
- For the stainless steel **SFMS**, metric screw threads and parallel pipe threads are standardized.

• Application

Hydraulic equipment / Pneumatic machinery and equipment / General industrial machines

• Material/Finish



	SFM	SFMS
Main Body	SCM435 (Hardness: 32 - 42 HRC) Ferrosoferric Oxide Film (Black)	SUS304
O-Ring	Nitrile Rubber (Type 1 B of JIS B 2401)	Fluoro-rubber (Type 4 D of JIS B 2401)

SFM Main Body: Made of Steel / O-ring: Nitrile Rubber

Unit : mm

Part Number	M (Fine)		L	D1	L1	B	t	O-Ring No.	Recommended Tightening Torque (N·m)	Mass (g)
	Nominal of Thread	Pitch								
SFM-M8	M8	1	7	16	4	5	3.5	P10	15.7	4
SFM-M10	M10	1	8	19.5	4	5	4	P12.5	19.6	7
SFM-M12	M12	1.5	12	21	4	6	5	P14	27.5	14
SFM-M14	M14	1.5	12	23	4	6	5	P16	39.2	19
SFM-M16	M16	1.5	12	25	4	8	6	P18	63.7	25
SFM-M18	M18	1.5	12	27	4	8	6	P20	78.5	32
SFM-M20	M20	1.5	14	32.5	5	10	6.5	P22.4	113	47
SFM-M22	M22	1.5	14	35	5	10	6.5	P25	137	57
SFM-M24	M24	1.5	14	38	5	12	7.5	P28	201	68
SFM-M27	M27	2	16	40	5	12	7.5	P30	245	94

• Part number specification

SFMS-M10



Individual Sales → P.xxxx 1 piece in 1 pack	Cleanroom Wash & Packaging → P.xxxx S.S. only/ Add'l charge	Screw Length Adjustment → P.xxxx Not Available	Vibration Resistant → P.xxxx Not Available	Modification process for captive use → P.xxxx Not Available
--	--	---	---	--