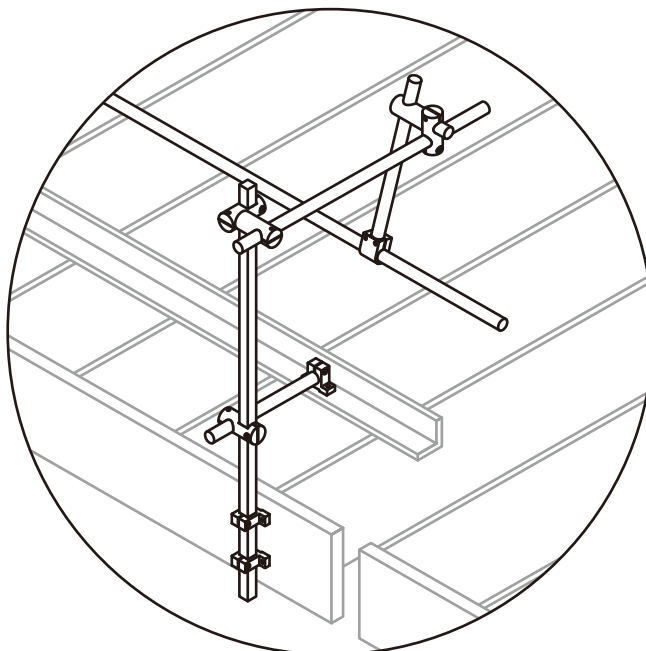
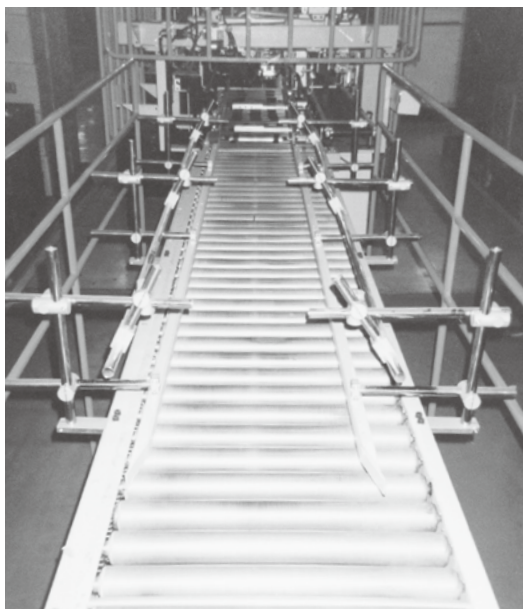


Stainless-steel Rect-hole /round-hole PIJON

SUS 304 Non-magnetism, heat-resistance, chemical-resistance $\phi 10\sim 20$ 6 Sizes

A square hole realizes a flat moving or perfect repositioning, so it is useful for fixed-installation without shake.

An assembling with a round shaft is available to meet present conditions.



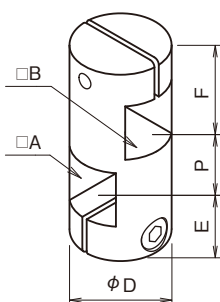
A assembling with a round shaft with a high flexibility is possible by utilizing the characteristics of a square hole with no shake.

USQ-200

for firm fixing in vertical and horizontal



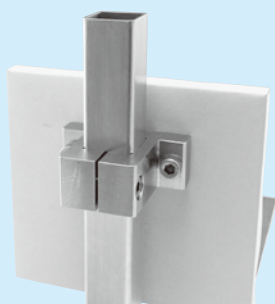
W-Rect



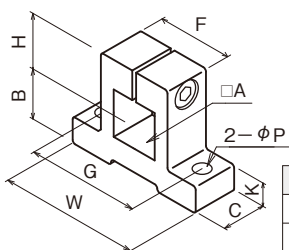
SUS 304	□A	□B	ϕD	E	P	F	Cap screw
USQ10-200	□10	□10	$\phi 19$	14.5	13	14.5	M4
USQ12-200	□12	□12	$\phi 22$	15.5	15	15.5	M4
USQ13-200	□13	□13	$\phi 22$	15.5	15	15.5	M4
USQ16-200	□16	□16	$\phi 25$	19	20	19	M5
USQ19-200	□19	□19	$\phi 29$	21.5	24	21.5	M5
USQ20-200	□20	□20	$\phi 29$	21.5	24	21.5	M5

USQ-600

to raise horizontal / lateral shaft. 2- ϕp for parts attachment



Horizontal-Rectangular



SUS 304	□A	B	H	C	K	F	W	G	2- ϕP	Cap screw
USQ10-600	□10	14	14	11	7	20	38	30	$\phi 4.5$	M4
USQ12-600	□12	14	14	11	7	20	38	30	$\phi 4.5$	M4
USQ13-600	□13	14	14	11	7	20	38	30	$\phi 4.5$	M4
USQ16-600	□16	18	18	15	9	26	48	38	$\phi 5.5$	M5
USQ19-600	□19	19	21	20	10.5	30	52	42	$\phi 5.5$	M5
USQ20-600	□20	19	21	20	10.5	30	52	42	$\phi 5.5$	M5