

MD SERIES

ELECTRONIC TOTALIZING COUNTER

- DIN 72X72 SIZE
- 4 DIGITS (LED Display)
- SWITCH OR PULSE INPUT
- WITH MEMORY MODEL AVAILABLE
- DUST / SPLASH PROOF OPTION



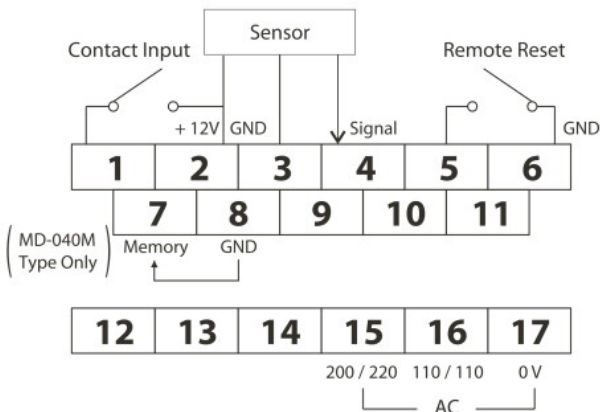
MODEL SELECTION

Models	Digits	Memory	Weight
MD - 040	4	—	500 grams
MD - 040M		○	510 grams

SPECIFICATIONS

Models	MD - 040	MD - 040M
Display	Red LED, 14.22 x 8.13mm (Zero Suppress)	
Input Method / Signal	Contact Input : Relay, Microswitch Non-Contact Input : L: 0 - 1V ; H: 4.5 - 27V	
Count Mode	Additive only	
Count Speed	Contact Input : 20 Hz max. / Non-Contact Input : 1000 Hz max.	
Pulse Width	Contact Input : 25 msec min. / Non-Contact Input : 0.5 msec min.	
Make (Duty)	1:1	
Reset	Front reset (push button) Remote reset (100msec min.) Electric reset (1sec min.)	Front reset (push button) Remote reset (100msec min.)
Memory	None	E ² PROM (10 yrs. retention, 10,000 times)
Power Source for Sensor	DC12V 30mA maximum	
Input Impedance	5kΩ	
Power Source	AC100/110V or AC200/220V ±10%, 50/60 Hz	
Power Consumption	Approximately 2.5VA	
Operating Temperature	-5 - +40°C (Non-freezing)	0 - 40°C (Non-freezing)
Operating Humidity	45 - 85%RH (Non-condensing)	
Hi-pot Test	AC1500V (1 minute)	
Dielectric Test	20M min. (DC500V megger)	
Connection	M3 Terminal Screw	

REAR TERMINALS & WIRING



ATTENTION!!!

1. Do not feed a voltage signal into the Contact Input terminals. This may cause damage to the input circuit of the unit.
2. Use shielded leadwires for the Input terminal and Reset terminal. Also, make the lines from the power source as far as possible from the lines of the Input and Reset lines.
3. For MD-040M model (with memory type), make sure to short terminals 7 and 8 to enable the memory function. When the counter will be shut down for a long period of time, disconnect terminals 7 and 8 to prevent the discharge of internal battery. The internal battery is charged when power is supplied to the counter.