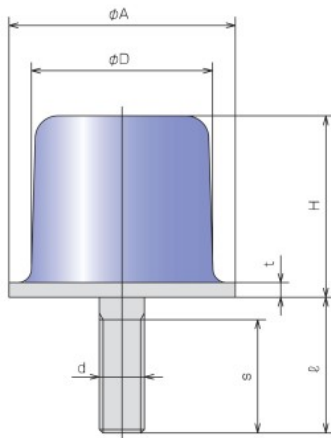




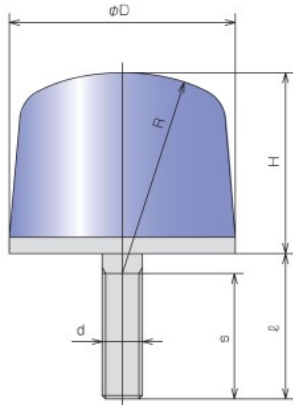
## Features

1. High absorption performance for big impulse force
2. Sound suppression
3. High damping performance
4. Easy installation

### KI type



### RI type



Product number	Standard dimensions mm							Maximum stroke mm	Maximum absorbed energy J(kgf·m)	Permissible impulse force kN(tonf)
	A	D	H	t	ℓ	s	d			
KI-30	30	25	30	2.3	24	20	M 8	14	18 { 1.8 }	4.9 { 0.5 }
KI-40	40	35	35	2.3	30	25	M 8	17	44 { 4.5 }	10.8 { 1.1 }
KI-50	50	40	40	3.2	30	25	M10	19	64 { 6.5 }	13.2 { 1.35 }
KI-60	60	50	50	3.2	35	35	M12	24	140 { 14 }	22.6 { 2.3 }
KI-80	80	65	65	4.5	45	45	M12	30	290 { 30 }	34.3 { 3.5 }
KI-100	100	80	85	4.5	55	55	M16	40	590 { 60 }	49.0 { 5.0 }

This type is provided with 1 hexagon nut and 1 spring washer.  
The elastomer is natural rubber and hardness spring 65.

### High damping rubber type

Product number	Standard dimensions mm						Maximum stroke mm	Maximum absorbed energy J(kgf·m)	Permissible impulse force kN(tonf)
	D	H	R	ℓ	s	d			
RI-25HD	25	25	10	18	16	M 6	11	8.8 { 0.9 }	2.7 { 0.28 }
RI-30HD	30	31	14	24	20	M 8	14	19 { 1.9 }	3.7 { 0.38 }
RI-45HD	45	36	40	29	25	M 8	16	60 { 6.1 }	11.8 { 1.20 }
RI-65HD	65	45	50	35	35	M12	21	190 { 19 }	32.4 { 3.30 }

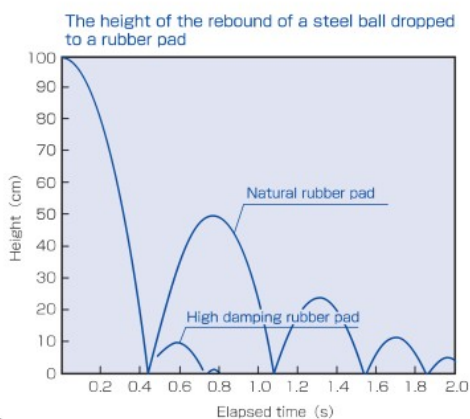
This type is provided with 1 hexagon nut and 1 spring washer.  
The elastomer is high damping rubber and hardness spring 60.

### Natural rubber type

Product number	Standard dimensions mm						Maximum stroke mm	Maximum absorbed energy J(kgf·m)	Permissible impulse force kN(tonf)
	D	H	R	ℓ	s	d			
RI-25	25	25	10	18	16	M 6	11	6.9 { 0.7 }	2.2 { 0.22 }
RI-30	30	31	14	24	20	M 8	14	15 { 1.5 }	3.4 { 0.35 }
RI-45	45	36	40	29	25	M 8	16	53 { 5.4 }	12.3 { 1.25 }
RI-65	65	45	50	35	35	M12	21	160 { 16 }	29.8 { 3.04 }

This type is provided with 1 hexagon nut and 1 spring washer.  
The elastomer is natural rubber and hardness spring 60.

### Damping characteristic



If you need high damping performance, please select the high damping type (RI-\*\*HD).