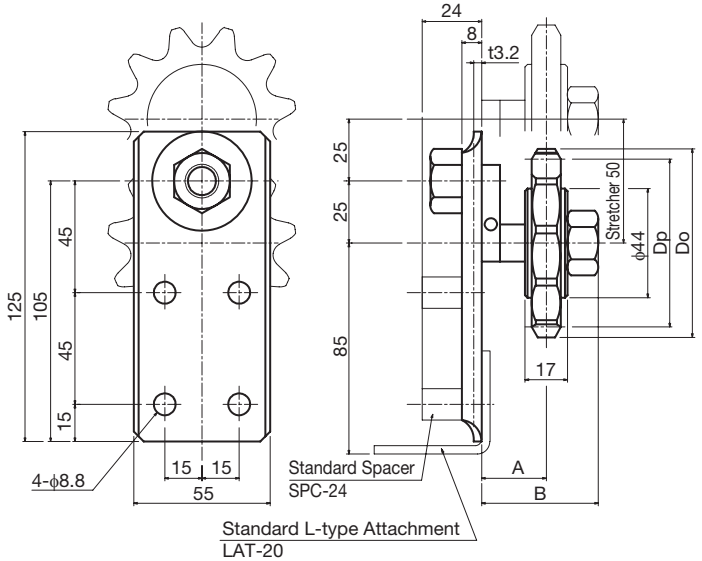


Tight-Holder THB Series

● Order No. Example

THB35

Tight-Holder No.



Use of an eccentric pin on this chain tensioner enables severe adjustments to be performed with ease. We recommend use of Tight-Holder to increase chain transmission efficiency and maintain the service life of the chain.

◇ THB (w/ Standard Idler Sprocket)

Tight-Holder No.	Applicable Roller Chain	Idler Sprocket				A	B	Weight (kg)	¥
		Part No.	No. of Teeth	Do	Dp				
THB 35	JIS35	ID35C18	18	60	54.85	26	47	0.56	
THB 40	JIS40	ID40C15	15	67	61.08	26	47	0.59	
THB 50	JIS50	ID50C13	13	74	66.34	26	47	0.63	
THB 60	JIS60	ID60C11	11	76	67.62	26	47	0.67	
THB 80	JIS80	ID80C 9	9	85	74.26	30	51	0.78	



Tight-Holder No.

Order Method

w/ Spacer No.

Spacer No.

and Quantity

w/ L attachment No.

L attachment No.



You can see the product on video.

Video Guide



Postage



Precautions



Guide

Same-day shipping

* The allowable load of the L-type attachment is used for the Idler Sprocket. This is max. 40 kg. with a vertical load.

* Idler Sprocket
▶▶ 104

