

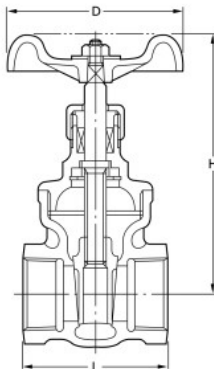
10K

GATE VALVE

Pressure-Temperature Rating: 1.0 MPa: 180°C

UEL

UELM



Parts	UEL	UELM
Body	SCS13A	SCS14A
Bonnet	SCS13A	SCS14A
Stem	304SS	316SS
Disc	SCS13A	SCS14A
Gland	304SS	316SS
Gland packing	Refer to Page 10	
Packing nut	Stainless steel	
Handwheel	Zinc Diecast (15 & 20) / Aluminum Diecast (25 to 50)	
Name plate	Aluminum	

Face to face dimensions: KITZ Std.
End thread dimensions: JIS B0203
Wall thickness: KITZ Std.

Nominal Size	Unit: mm					
	1/2	3/4	1	1 1/4	1 1/2	2
L	54	58	65	74	78	87
H	96	101	112	123	150	167
D	70	70	80	80	100	100

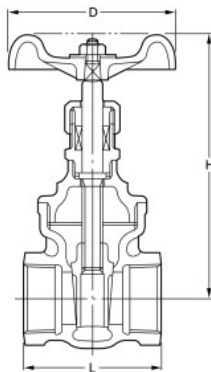
10K

GATE VALVE

Pressure-Temperature Rating: 1.0 MPa: 180°C

UE

UEM



Parts	UE	UEM
Body	SCS13A	SCS14A
Bonnet	SCS13A	SCS14A
Stem	304SS	316SS
Disc	SCS13A	SCS14A
Gland	304SS	316SS
Gland packing	Refer to Page 10	
Packing nut	Stainless steel	
Handwheel	Aluminum Diecast (65 & 80) / Ductile iron (100)	
Name plate	Aluminum	

Face to face dimensions: JIS B2011
End thread dimensions: JIS B0203
Wall thickness: KITZ Std.

Nominal Size	Unit: mm		
	2 1/2	3	4
L	115	130	155
H	248	275	315
D	135	155	200

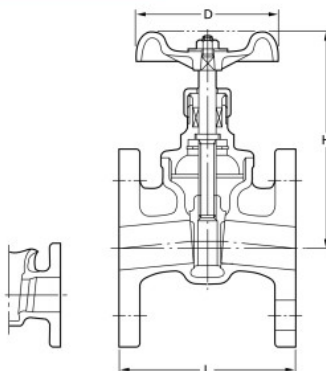
10K

GATE VALVE

Pressure-Temperature Rating: 1.0 MPa: 180°C

UEB

UEBM



Parts	UEB	UEBM
Body	SCS13A	SCS14A
Bonnet	SCS13A	SCS14A
Stem	304SS	316SS
Disc	SCS13A	SCS14A
Gland	304SS	316SS
Gland packing	Refer to Page 10	
Packing nut	Stainless steel	
Handwheel	Zinc Diecast (15 & 20) / Aluminum Diecast (25 to 80)	
Snap ring	316SS	
Name plate	Aluminum	

Face to face dimensions: JIS B2011* *KITZ standard for Size 1/2 and 3/4
End flange dimensions: JIS B2220** **Except flange thickness
Wall thickness: KITZ Std.

Nominal Size	Unit: mm							
	1/2*	3/4*	1	1 1/4	1 1/2	2	2 1/2	3
L	85	95	100	110	125	140	170	190
H	99	105	116	128	170	188	248	275
D	70	70	80	80	100	100	135	155

65 and larger

50 and smaller

*UEB only